



ESD Series

User Guide

ESD Cube

ESD5

ESD25

ESD6

ESD36

ESD10

ESD12

ESD15

The Future of Sound. Made Perfectly Clear.

At KV2 Audio our vision is to constantly develop technologies that eliminate distortion and loss of information providing a true dynamic representation of the source.

Our aim is to create audio products that absorb you, place you within the performance and deliver a listening experience beyond expectations.

Contents

ESD Cube	4
Overview	4
Installation, Drawings	5
Frequency characteristics	6
Specifications	7
ESD5	8
Overview	8
Installation, Drawings	9
Frequency characteristics	10
Specifications	11
ESD25	12
Overview	12
Installation, Drawings	13
Frequency characteristics	14
Specifications	15
ESD6	16
Overview	16
Installation, Drawings	17
Frequency characteristics	18
Specifications	19
ESD36	20
Overview	20
Installation, Drawings	21
Frequency characteristics	22
Specifications	23
ESD10	24
Overview	24
Installation, Drawings	25
Frequency characteristics	26
Specifications	27
ESD12	28
Overview	28
Installation, Drawings	29
Frequency characteristics	30
Specifications	31
ESD15	32
Overview	32
Installation, Drawings	33
Frequency characteristics	34
Specifications	35
Accessories	36 - 38
Warranty · Service	39
Notes	40 - 42

ESD CUBE

Ultra Compact Passive Speaker

ESD Cube - part number KVV 987 377



Application

Specifically designed as an ultra compact passive loudspeaker system for reproduction of high quality speech and recorded music.

- Suitable in fixed installations as a full range speaker or as a system with accompanying subwoofers
- Excellent peripheral reinforcement for main KV2 systems
- Fill-in speaker
- Compact spot monitoring / playback
- Ceiling or under balcony mounting

Introduction

The ESD Cube is a very high quality ultra compact low profile 5" passive loudspeaker, utilising a unique trans-coil transducer design for superior vocal reproduction, extended high frequency response, increased dynamic range and the lowest distortion of any comparable speaker in its class. Housed in an aluminium enclosure, its compact dimensions make it extremely discreet for peripheral reinforcement in theaters, bars, clubs, churches, museums or tourist attractions. Along with the dedicated ESP1000 amplifier, a combination of up to 8 ESD Cube units, or 4 Cube units with either one or two ESD1.10 subwoofers can be operated.

Connection

The ESD Cube features both Speakon (NL4) connectors and a terminal block. Along with the ESP1000 amplifier, a combination of up to 8 ESD Cube units, or 4 Cube units with either one or two ESD1.10 subwoofers can be operated.

Example of the connection (4 channels and 8 ESD Cubes) - for more see ESP1000 User Manual (KVV 120 136)



Installation

IMPORTANT! WHEN INSTALLING THE CUBE BRACKET ENSURE YOU USE THE CORRECT PLUGS AND FIXINGS TO ENABLE SECURE ATTACHMENT TO A SURFACE USING THE SUPPLIED BRACKET SCREWS. KV2 AUDIO IS NOT RESPONSIBLE FOR ANY FAILURE, DAMAGE OR INJURY CAUSED BY THE INSTALLER NOT APPLYING THIS DUE CARE AND ATTENTION.

The ESD Cube is supplied with a single Horizontal Bracket, 2 locking screws with spacers and one 3 mm Allen key. Each ESD Cube is equipped with two oval mounting apertures designed for easy vertical or horizontal attachment.

To enable fixing to a ceiling or alternatively to the wall, measure out the center point of the ESD Cube Wall bracket. There are two extra holes on the Wall Bracket, designed to accept locking screws - this side belongs on the rear side of the ESD Cube cabinet.

Fix the Wall bracket using one center countersunk screw. Rotate the Wall bracket around the central screw and set the correct angle of the bracket.

Fix the Wall Bracket using the remaining four countersunk screws. Position the ESD Cube on to the Wall Bracket's pin heads and fix it sliding the cabinet down. When mounting the ESD Cube on the ceiling, slide the cabinet backward and fix/secure it using two locking screws and tighten using the supplied Allen key.

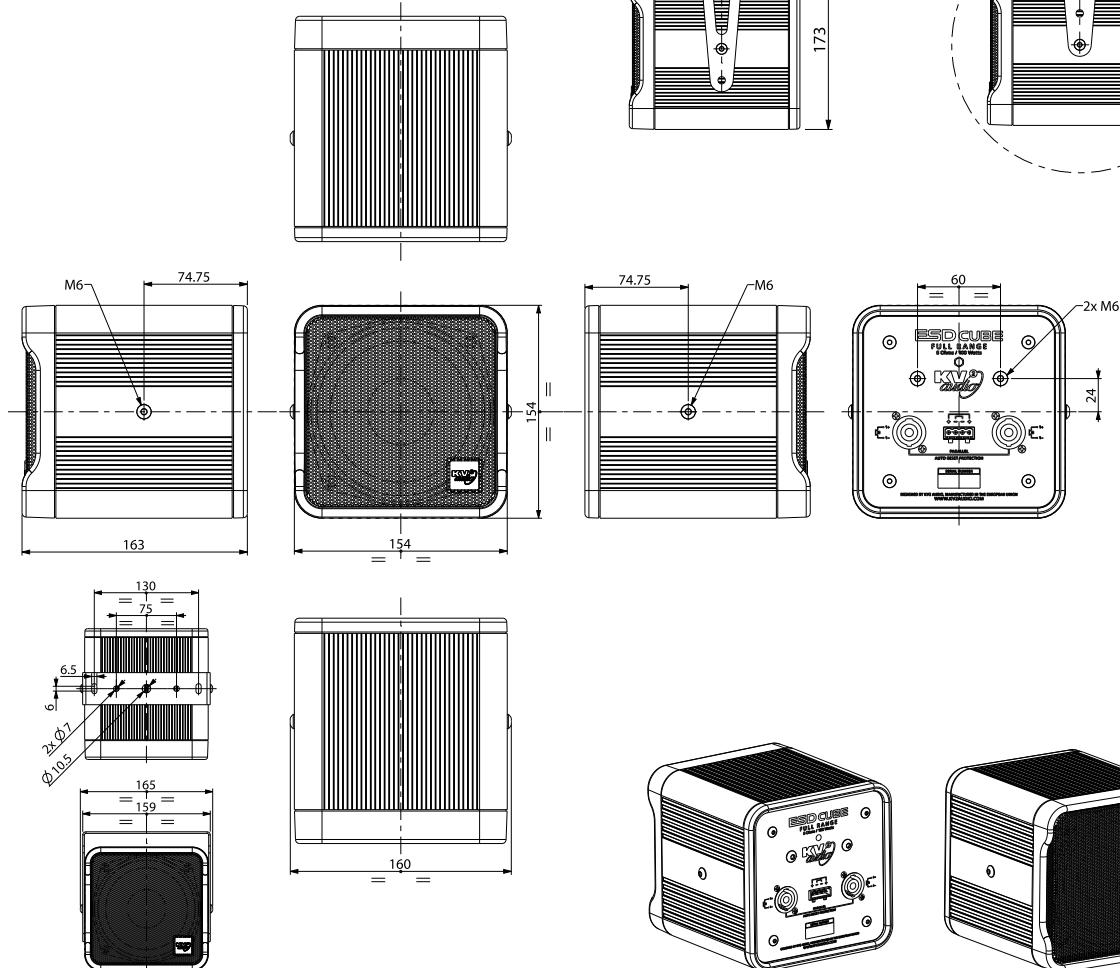
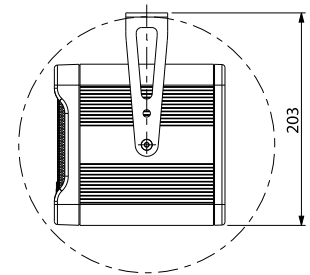
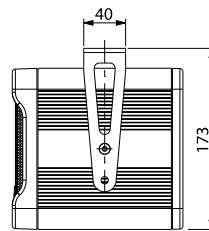
Drawings

part name:
ESD Cube BRACKET
part number:
KVV 987 408

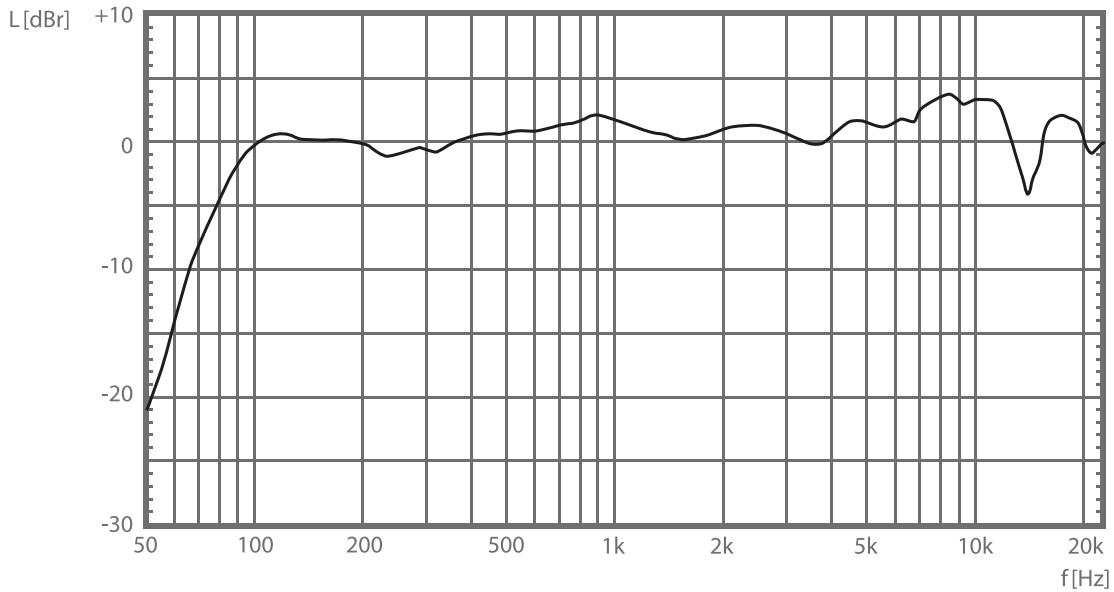


POSITION 1 / ROTATION $\pm 25^\circ$

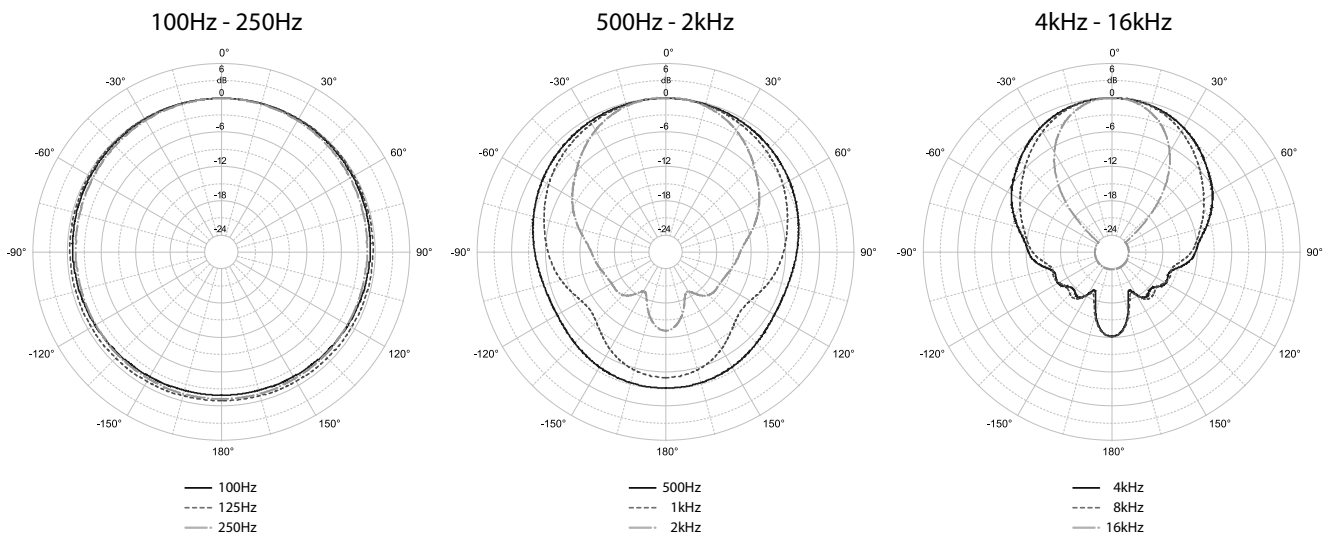
POSITION 2 / ROTATION 360°



Frequency response



Vertical / Horizontal Polarplots



Specifications

System Acoustic Performance

Max SPL Long-term	110dB
Max SPL Peak	113dB
-3dB Response	90Hz to 18kHz (with ESP1000 equalization)
Recommended Power	100W
Sensitivity	90dB
Impedance	8Ω
Crossover Point	no - full range

Full Range Transducer

Acoustic Design	Closed box, Front Loaded
Magnet Type	Neodymium
Protection	Thermal breaker - autoreset
Number of drivers	1
Woofer Size	5" AIC Trans-coil
Diaphragm Material	Epoxy Reinforced Cellulose

Signal Output

Output channels	1
-----------------	---

Speaker Input

Speaker Input	2x Neutrik Speakon®, Terminal Block
---------------	-------------------------------------

Cabinet

Cabinet Material	Extruded Aluminium
Color	Matt Black or any RAL

Physical Dimensions

Height	154 mm (6")
Width	154 mm (6")
Depth	163 mm (6.4")
Weight	3 kg (6.6lbs)

ESD5

The Ultimate Compact Passive System

ESD5 - part number KVV 987 340



Application

Specifically designed as a super- discreet passive loudspeaker for reproduction of recorded music and speech

- Suitable in fixed installations as a full range speaker or as a system with accompanying subwoofers
- Excellent peripheral reinforcement for main KV2 systems
- Fill-in speaker
- Monitoring
- Ceiling or under balcony mounting

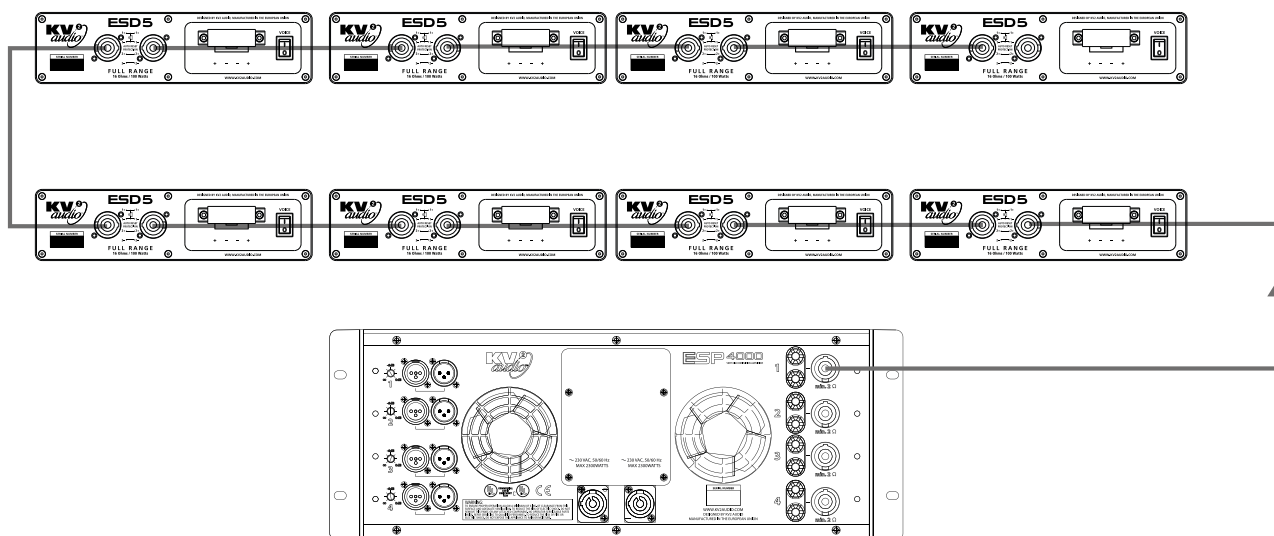
Introduction

The ESD5 is a very high quality 2-way full-range compact low profile passive loudspeaker with performance that defies its size. Delivering exceptional clarity for speech and program reproduction, the ESD5 is perfect for discreet installations and audio visual presentations where sound quality is paramount, but aesthetic dimensions are of equal importance. The ESD5's high impedance capability means that up to sixteen units can be run from a single suitable quality stereo amplifier, to provide a high fidelity background program throughout a venue. A built-in switchable voice eq circuit is included.

Connection

The ESD5 features both Speakon (NL4) connectors and a terminal block. The connectors are interconnected in parallel to allow the "daisy chaining" of additional ESD5's.

PARALLEL CONNECTION OF THE ESD5 (16Ω) - TOTAL IMPEDANCE 2Ω



Installation

The ESD5 is supplied with a single "ESD5 Wall Bracket", 2 locking screws with spacers and one 3 mm Allen key. Each ESD5 is quipped with two oval mounting apertures designed for easy vertical or horizontal attachment to the ESD5 Wall Bracket.

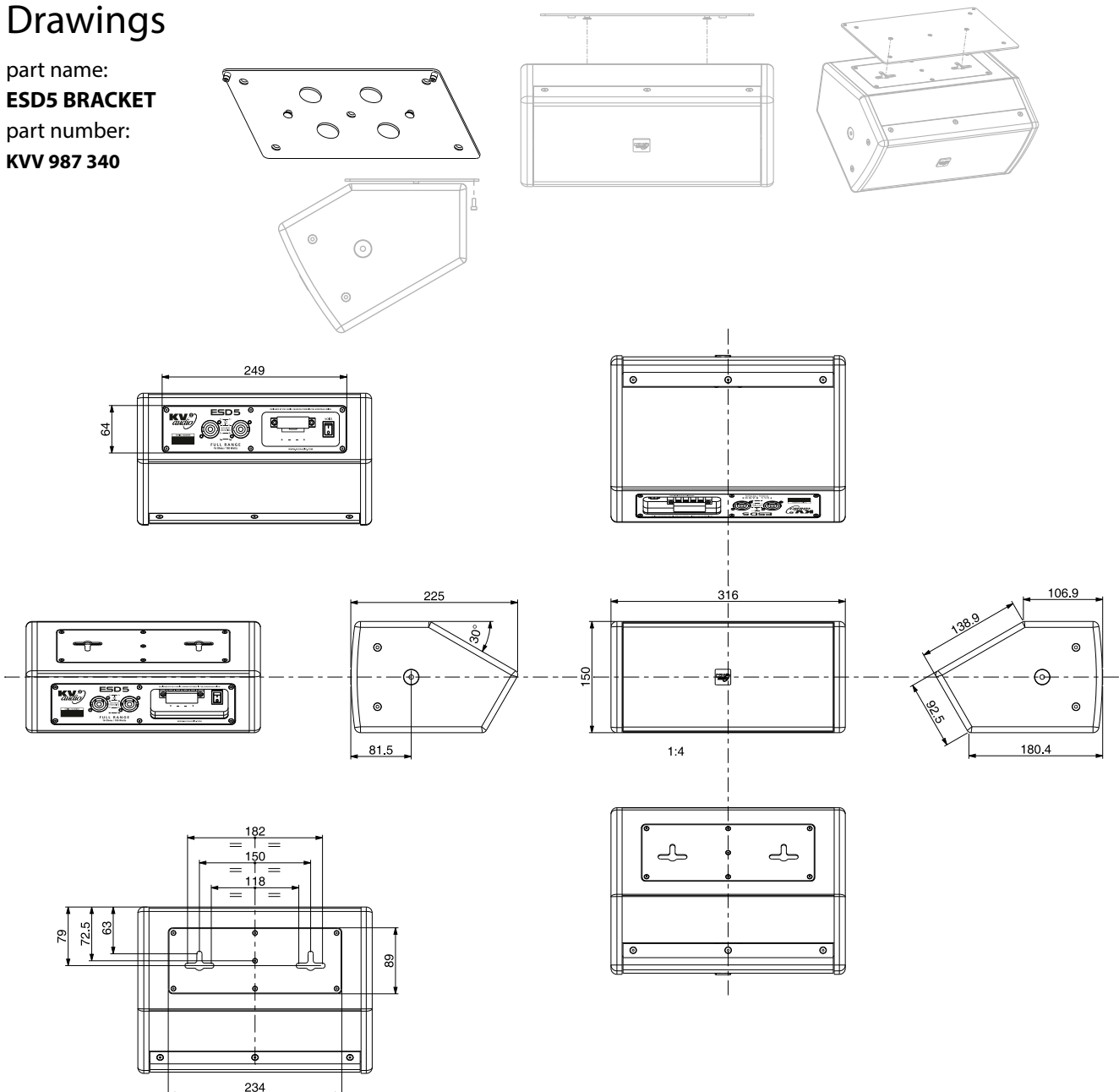
To enable fixing to a ceiling or alternatively to the wall, measure out the center point of the ESD5 Wall bracket. There are two extra holes on the Wall Bracket, designed to accept locking screws - this side belongs on the rear side of the ESD5 cabinet.

Fix the Wall bracket using one center countersunk screw. Rotate the Wall bracket around the central screw and set the correct angle of the bracket.

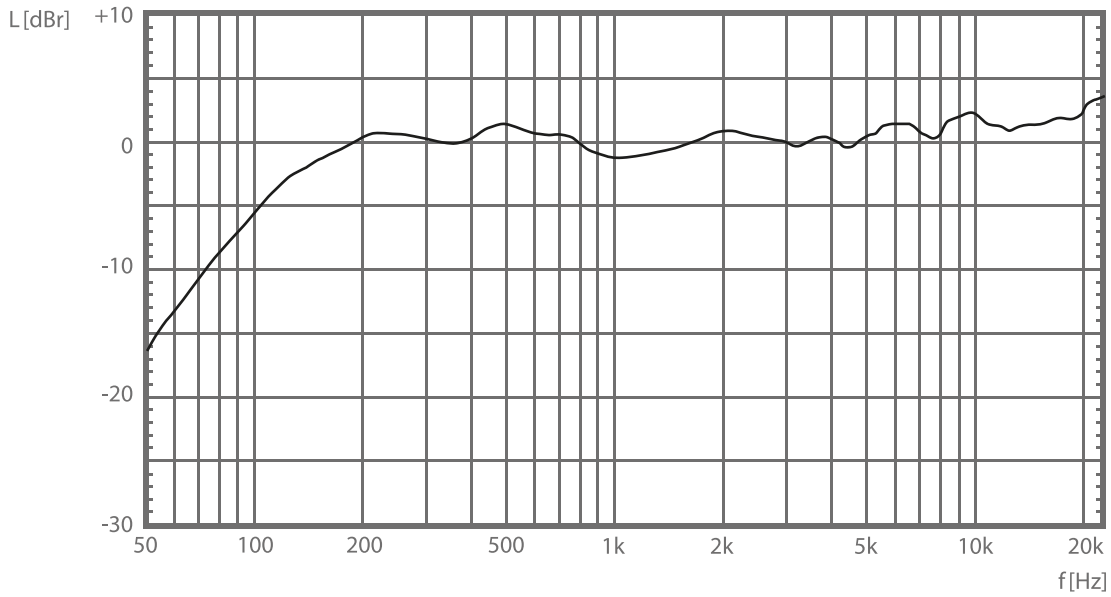
Fix the Wall Bracket using the remaining four countersunk screws. Position the ESD5 on to the Wall Bracket's pin heads and fix it sliding the cabinet down. When mounting the ESD5 on the ceiling, slide the cabinet backward and fix/secure it using two locking screws and tighten using the supplied Allen key.

Drawings

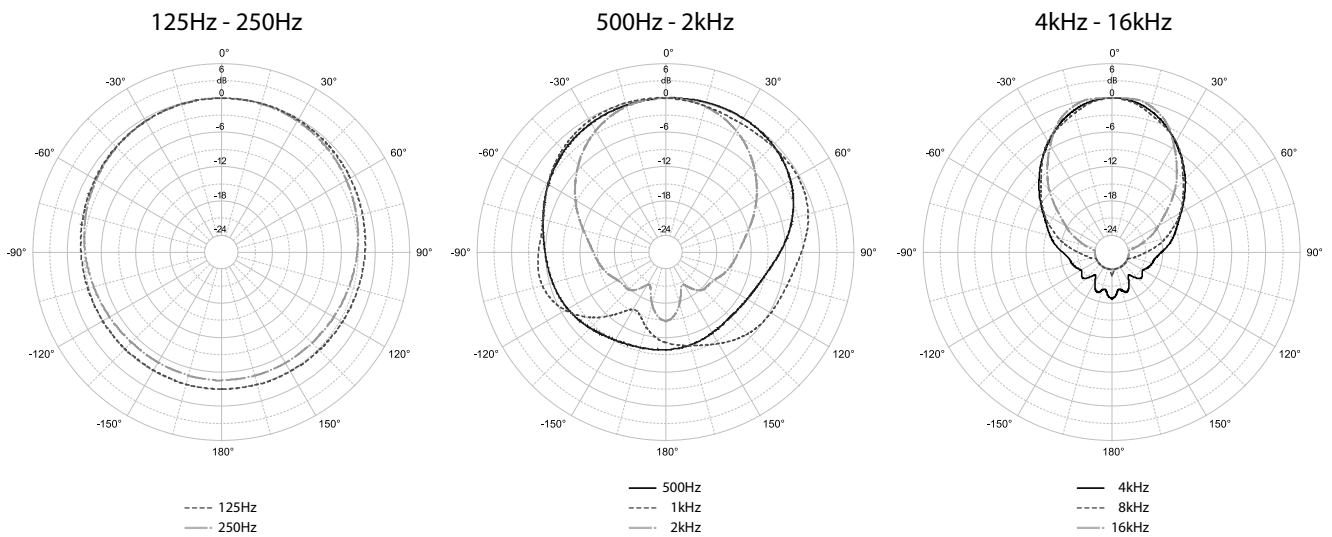
part name:
ESD5 BRACKET
part number:
KVV 987 340



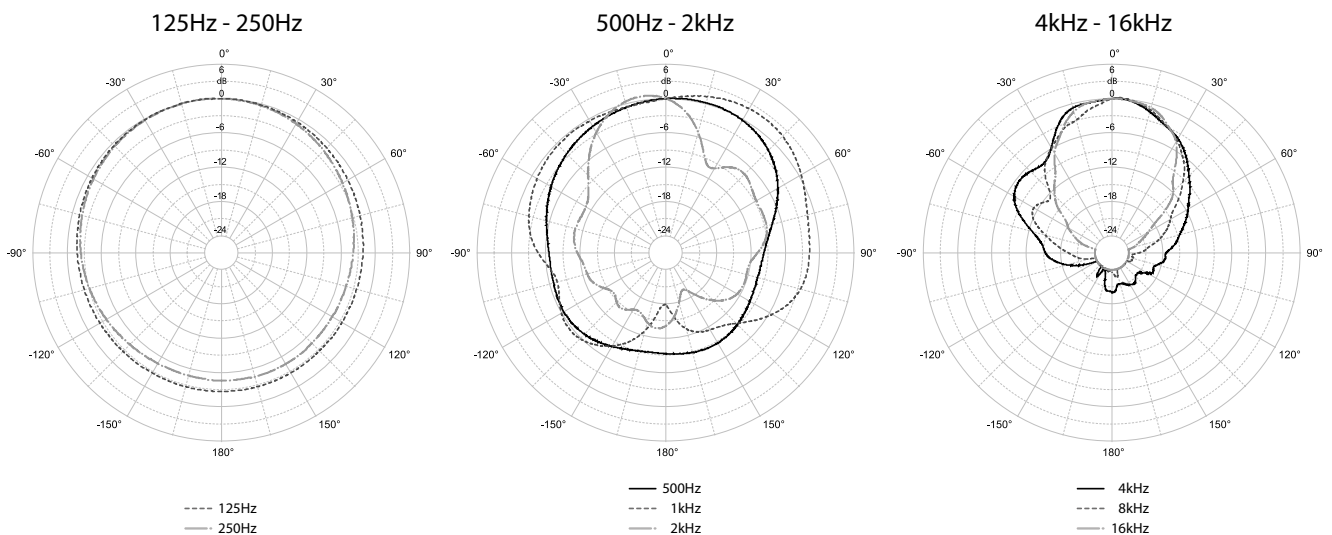
Frequency response



Vertical Polarplots



Horizontal Polarplots



Specifications

System Acoustic Performance

Max SPL Long-term	109dB
Max SPL Peak	112dB
-3dB Response	125Hz to 22kHz
-10dB Response	74Hz to 28kHz
Recommended Power	100W
Sensitivity	89dB
Impedance	16Ω
Crossover Point	3.0kHz

High Frequency Section

Acoustic Design	Horn Loaded
High Horn Coverage Horizontal / Vertical	90° x 90°
Throat Exit Diameter / Diaphragm Size	1" / 1.3"
Diaphragm Material	Titanium
Magnet Type	Ferrite
Protection	RMS Limiter

Low Frequency Section

Acoustic Design	Closed box
Woofer Size / Voice Coil Diameter	5" / 1.75"
Diaphragm Material	Epoxy Reinforced Cellulose
Magnet Type	Ferrite
Protection	RMS Limiter

Speaker Input

Speaker Input	2x Neutrik Speakon®, Terminal Block
---------------	-------------------------------------

Cabinet

Cabinet Material	Baltic birch
Color	"Orange peeled" Matt Black or any RAL

Physical Dimensions

Height	150 mm (5.9")
Width	316 mm (12.4")
Depth	224.7 mm (8.84")
Weight	7 kg (15.4lbs)

ESD25

ESD25 - part number KVV 987 368

2-Way Full-Range Compact Low Profile Passive Loudspeaker

Application

Specifically designed as a super- discreet passive loudspeaker for reproduction of recorded speech and music

- Suitable in fixed installations as a full range speaker or as a system with accompanying subwoofers
- Excellent peripheral reinforcement for main KV2 systems
- Fill-in speaker
- Monitoring
- Ceiling or under balcony mounting



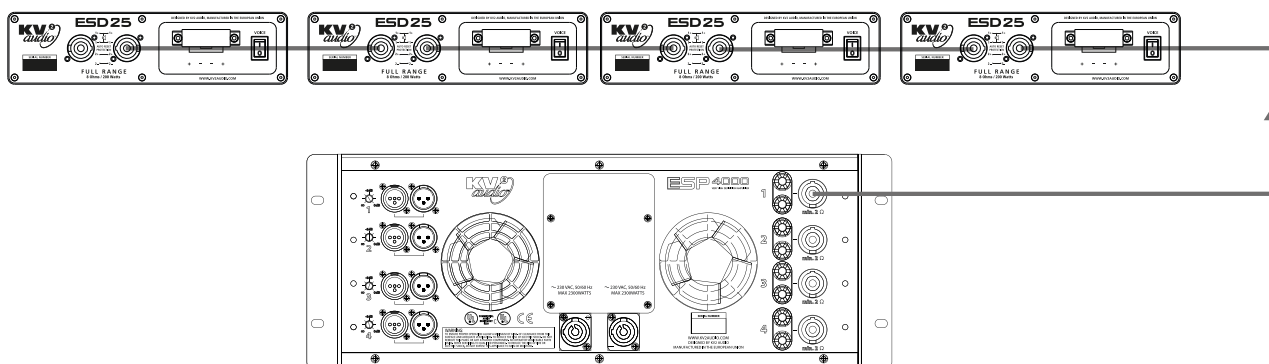
Introduction

The ESD25 is a very high quality, 2-way full-range compact low profile passive loudspeaker with enhanced lower bass extension. Its opposing driver design assists with pattern control of the low mid frequencies, reducing reflections in reverberant spaces and improving intelligibility. Delivering exceptional clarity for speech and program reproduction, the ESD25 is ideal for under balcony or front stage fill applications in theaters and performing arts spaces where transparent supplementation of the main system is required. As with the already widely acclaimed ESD5, the ESD25 is shaped to fit discreetly into these applications and comes with its own integral bracket for quick installation. A built-in switchable voice eq circuit is included.

Connection

The ESD25 features both Speakon (NL4) connectors and a terminal block. The connectors are interconnected in parallel to allow the "daisy chaining" of additional ESD25's.

PARALLEL CONNECTION OF THE ESD25 (8Ω) - TOTAL IMPEDANCE 2Ω



Installation

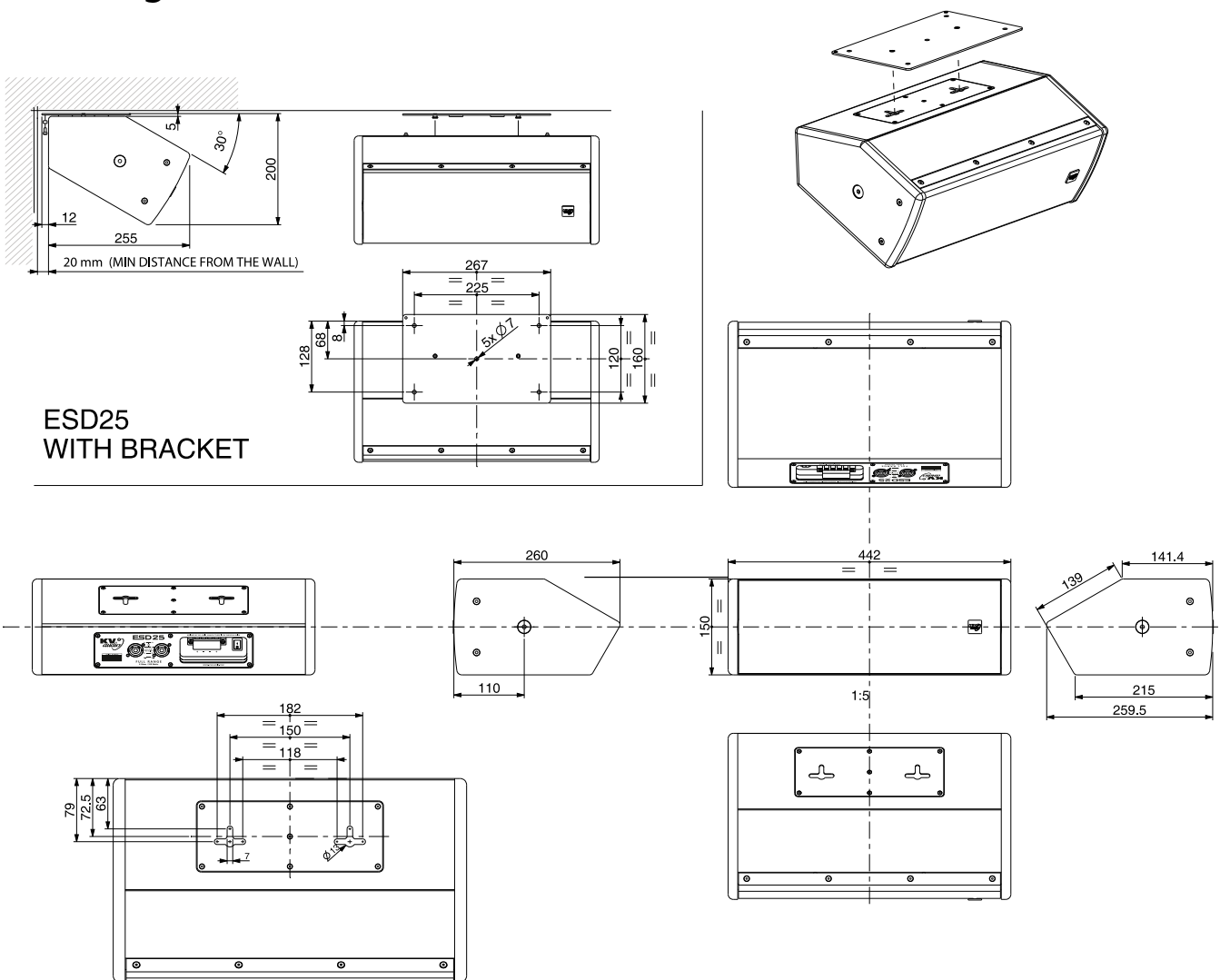
The ESD25 is supplied with a single "ESD25 Wall Bracket", 2 locking screws with spacers and one 3 mm Allen key. Each ESD25 is equipped with two oval mounting apertures designed for easy vertical or horizontal attachment to the ESD25 Wall Bracket.

To enable fixing to a ceiling or alternatively to the wall, measure out the center point of the ESD25 Wall bracket. There are two extra holes on the Wall Bracket, designed to accept locking screws - this side belongs on the rear side of the ESD25 cabinet.

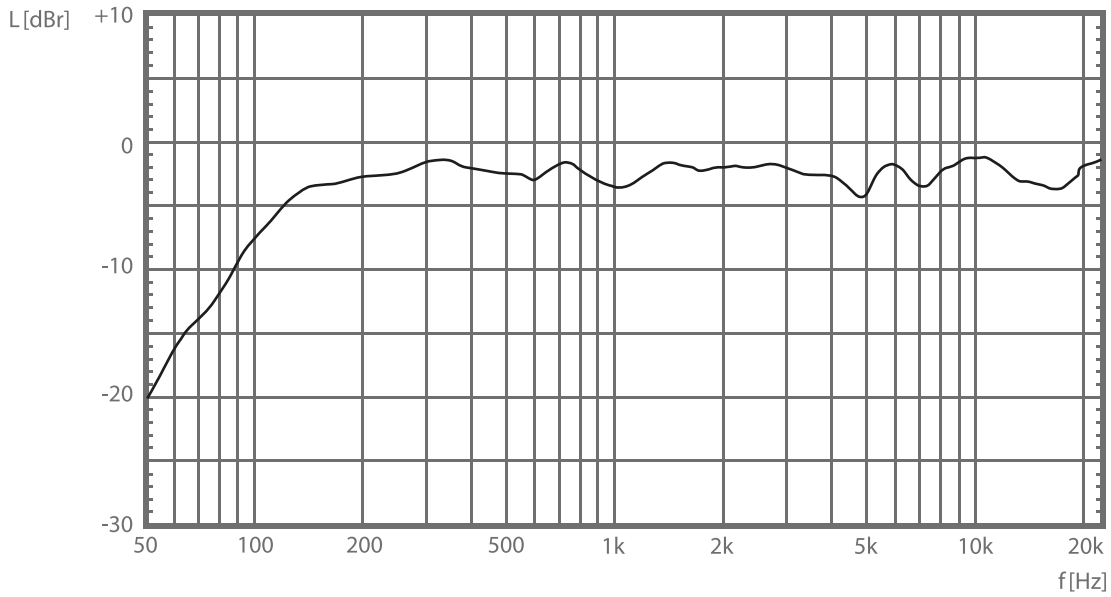
Fix the Wall bracket using one center countersunk screw. Rotate the Wall bracket around the central screw and set the correct angle of the bracket.

Fix the Wall Bracket using the remaining four countersunk screws. Position the ESD25 on to the Wall Bracket's pin heads and fix it sliding the cabinet down. When mounting the ESD25 on the ceiling, slide the cabinet backward and fix/secure it using two locking screws and tighten using the supplied Allen key.

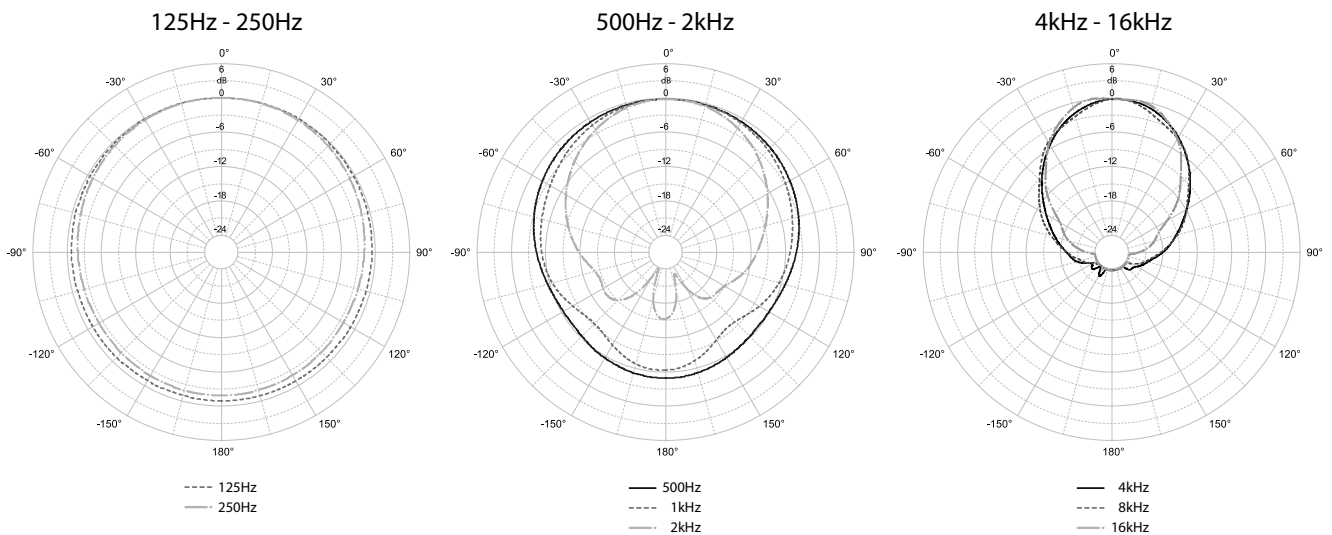
Drawings



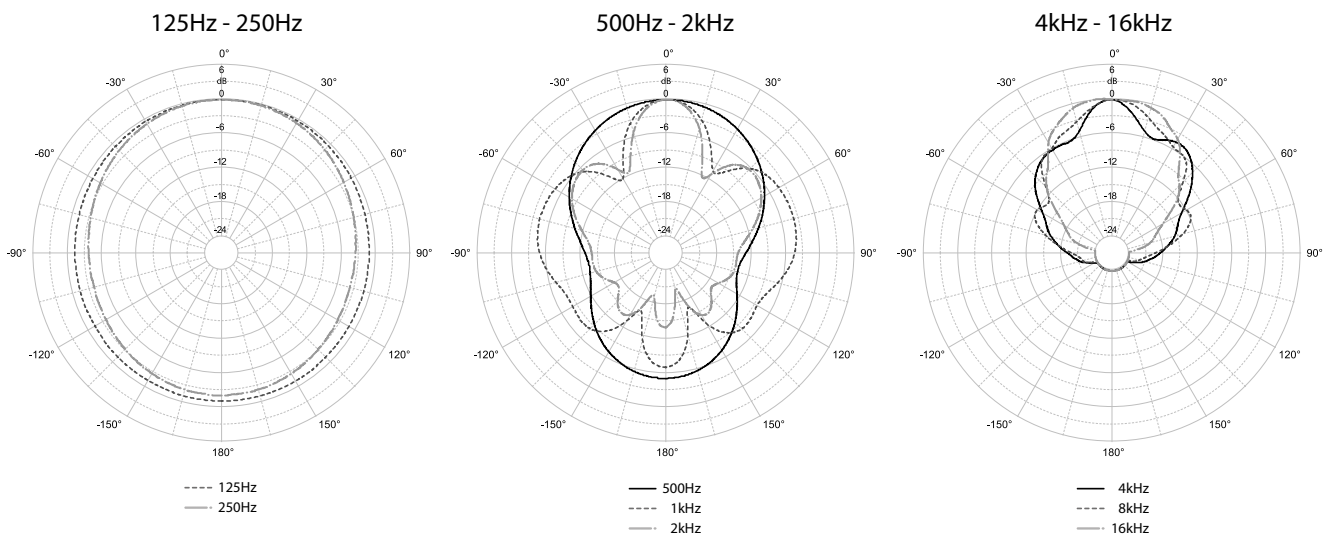
Frequency response



Vertical Polarplots



Horizontal Polarplots



ESD25 · Frequency characteristics

Specifications

System Acoustic Performance

Max SPL Long-term	118dB
Max SPL Peak	121dB
-3dB Response	120Hz to 22kHz
-10dB Response	72Hz to 28kHz
Recommended Power	200W
Sensitivity	92dB
Impedance	8Ω
Crossover Point	3.0kHz

High Frequency Section

Acoustic Design	Horn Loaded
High Horn Coverage Horizontal / Vertical	90° x 90°
Throat Exit Diameter / Diaphragm Size	1" / 1.3"
Diaphragm Material	Titanium
Magnet Type	Ferrite
Protection	RMS Limiter

Low Frequency Section

Acoustic Design	Closed box
Number of drivers	2
Woofer Size / Voice Coil Diameter	5" / 1.75"
Magnet Type	Ferrite
Diaphragm Material	Epoxy Reinforced Cellulose
Protection	RMS Limiter

Speaker Input

Speaker Input	2x Neutrik Speakon®, Terminal Block
---------------	-------------------------------------

Cabinet

Cabinet Material	Baltic birch
Color	"Orange peeled" Matt Black or any RAL

Physical Dimensions

Height	150 mm (5.9")
Width	442 mm (17.4")
Depth	260 mm (10.24")
Weight	9.6 kg (21.2lbs)

ESD6

FULL RANGE 175Watts

The Ultimate Compact Passive System

ESD6 - part number KVV 987 206



Application

Specifically designed as a passive loudspeaker for reproduction of recorded music in small areas

- Suitable in Fixed installations as full range stand-alone or with subwoofers
- Excellent peripheral reinforcement for main KV2 systems
- Portable PA for Multi-Media applications
- Compact floor monitoring solutions
- Domestic and Professional studio monitoring

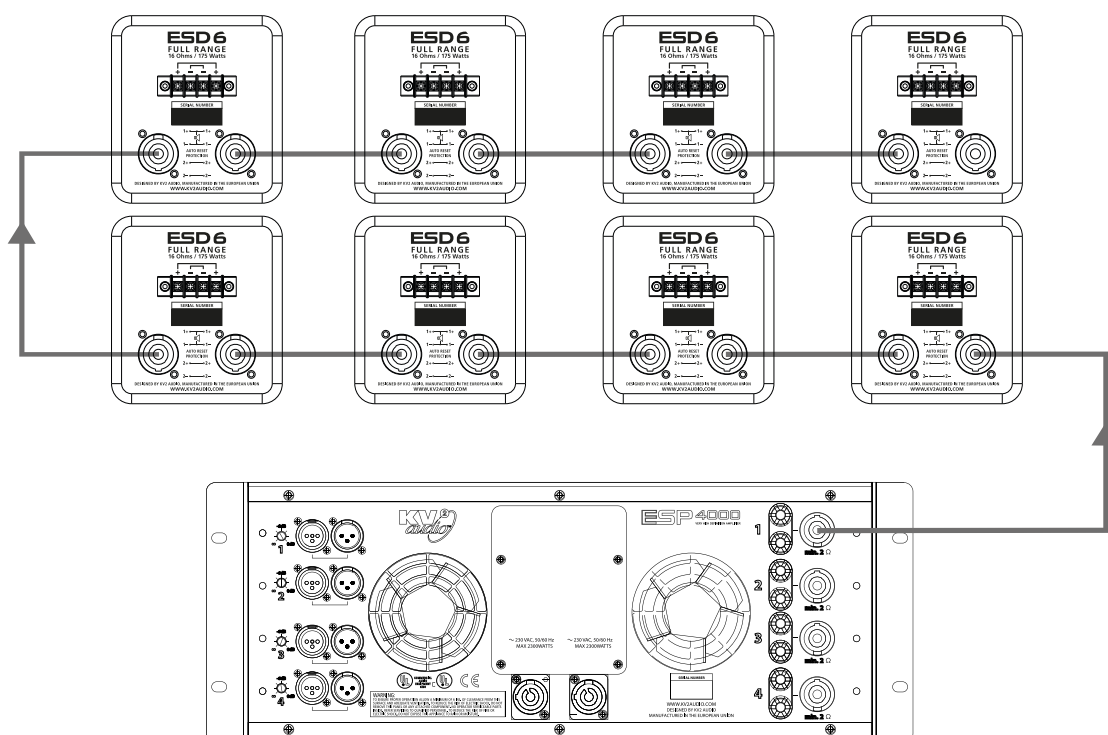
Introduction

The ESD6 is a high quality 2-way full-range compact passive loudspeaker with output that defies its size. Delivering amazing clarity for speech and program reproduction, the ESD6 is perfect for discreet installations and audio visual presentations where sound quality is paramount but size also matters. The ESD6's high impedance capability means that up to sixteen units can be run from a single suitable quality stereo amplifier to provide a high fidelity background program throughout a venue.

Connection

The loudspeaker system is connected to an amplifier using Speacon (NL4) connectors or the terminal board. The connectors are interconnected in parallel to connect more loudspeaker systems.

PARALLEL CONNECTION OF THE ESD6 (16Ω) - TOTAL IMPEDANCE 2Ω



Installation

Installations should be carried out using KV2 Audio's horizontal or vertical U brackets. They are mounted vertically using M10 points located on the side of the cabinet or in the top handle and bottom M10 plate (supplied with horizontal bracket) for horizontal fixing and to a mounting post with a diameter of 35 mm using a support flange.

The ESD6 also features a 35 mm speaker pole mount adapter housed at the bottom of the cabinet for use with conventional speaker stands and poles.

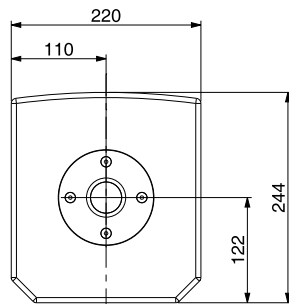
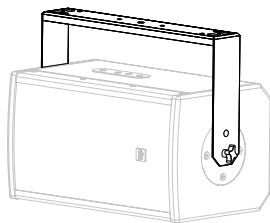
Drawings

part name:

ESD6 "U" HORIZONTAL BRACKET

part number:

KVV 987 222

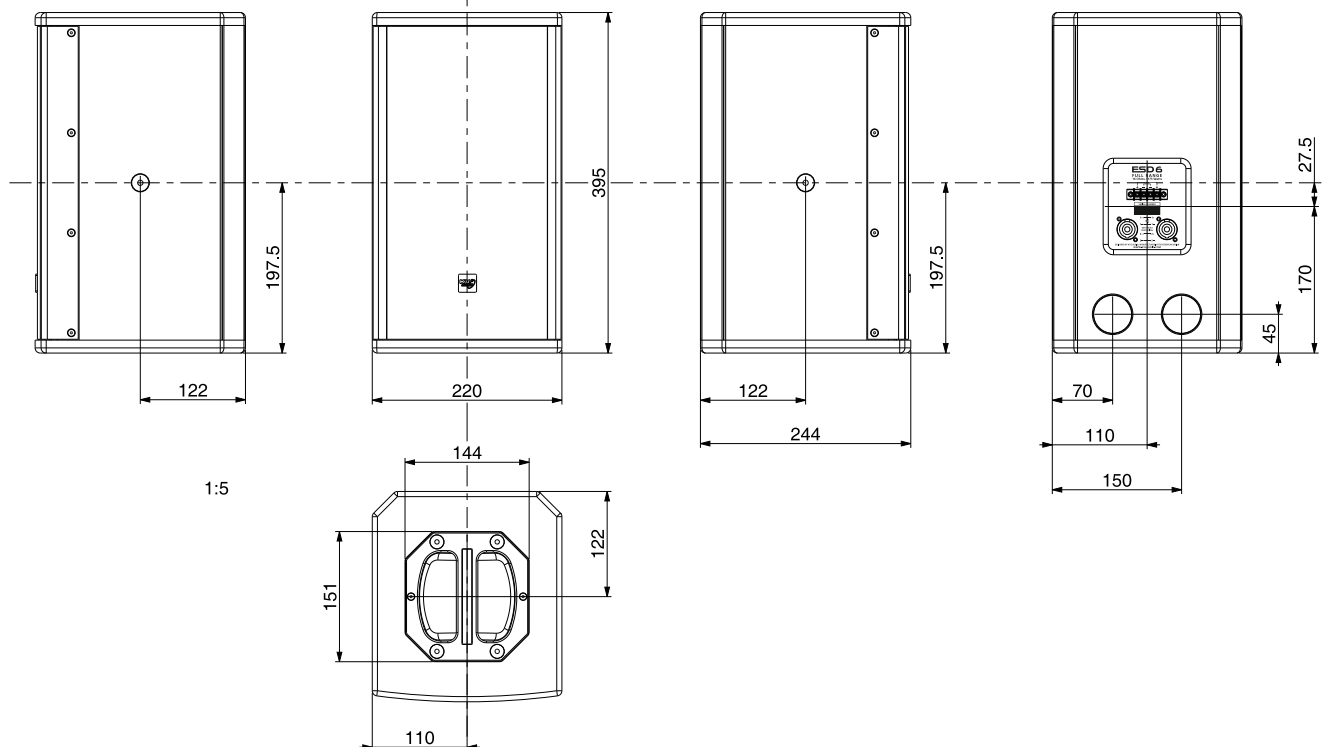
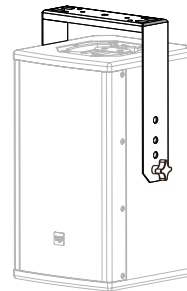


part name:

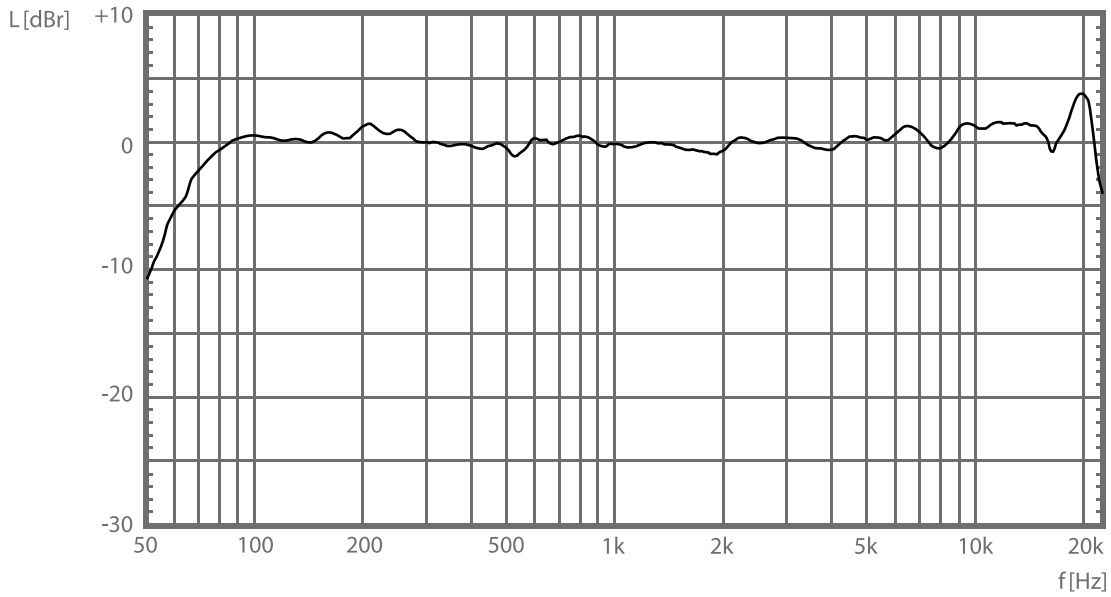
EX6, ESD6 "U" VERTICAL BRACKET

part number:

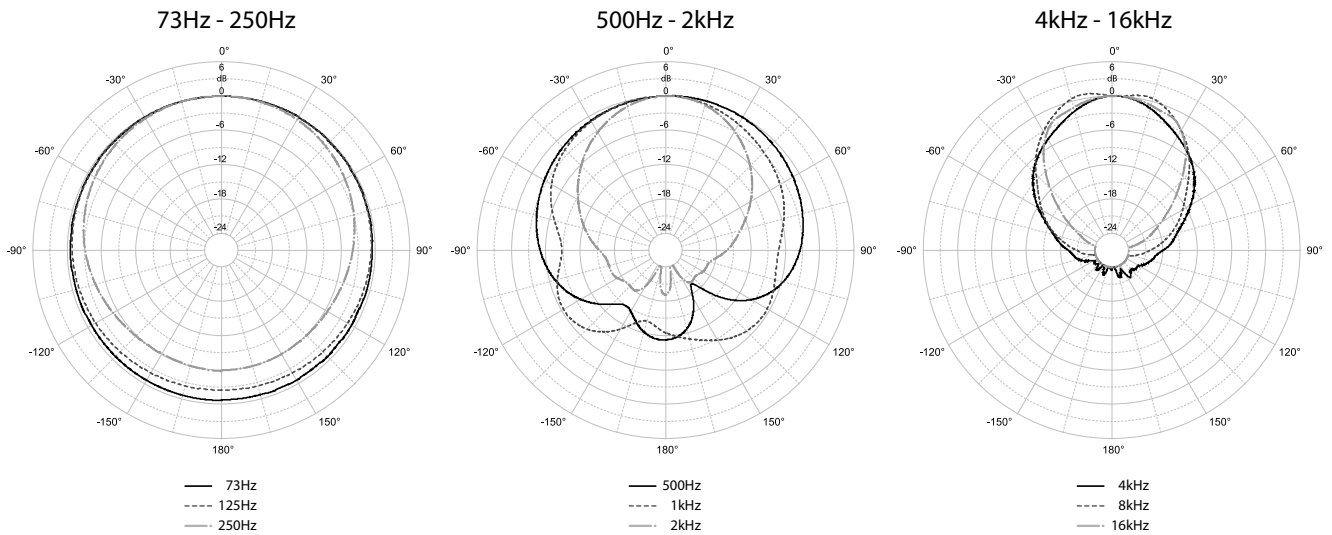
KVV 987 148



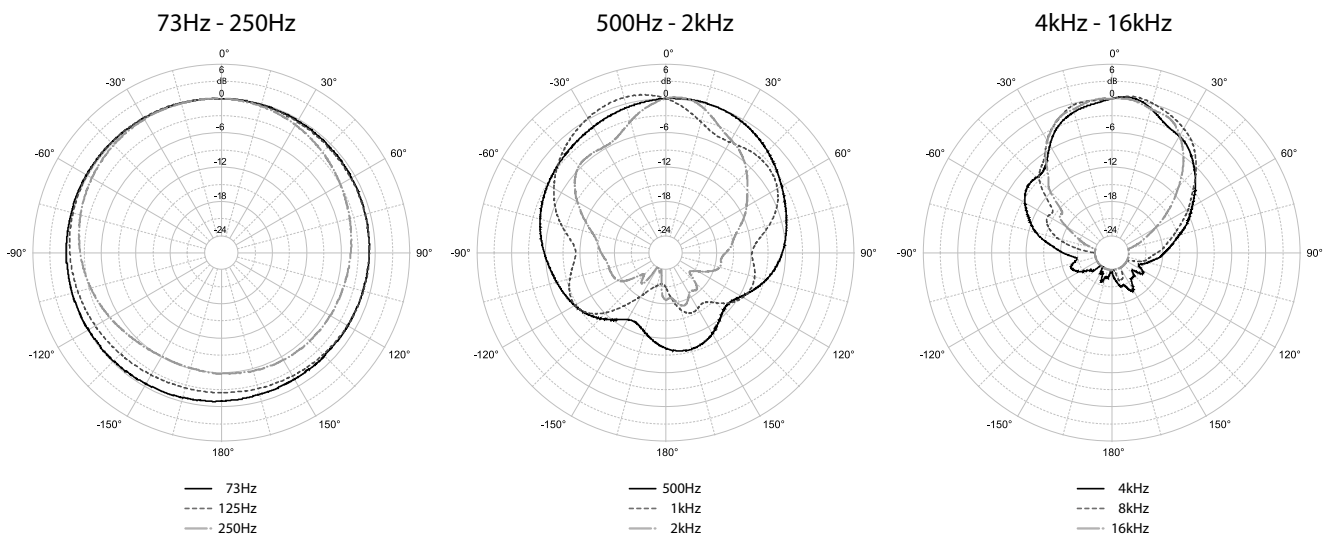
Frequency response



Horizontal Polarplots



Vertical Polarplots



Specifications

System Acoustic Performance

Max SPL Long-term	117dB
Max SPL Peak	120dB
-3dB Response	68Hz to 20kHz
-10dB Response	51Hz to 28kHz
Recommended Power	175W
Sensitivity	92dB
Impedance	16Ω
Crossover Point	2.0kHz

High Frequency Section

Acoustic Design	Horn Loaded
High Horn Coverage Horizontal / Vertical	100° x 100°
Throat Exit Diameter / Diaphragm Size	1" / 1.75"
Diaphragm Material	Nitride Titanium
Magnet Type	Neodymium
Protection	RMS Limiter

Low Frequency Section

Acoustic Design	Front Loaded, Bass Reflex
Woofer Size / Voice Coil Diameter	6" / 1.75"
Diaphragm Material	Epoxy Reinforced Cellulose
Magnet Type	Neodymium
Protection	RMS Limiter

Speaker Input

Speaker Input	2x Neutrik Speakon®, Terminal Block
---------------	-------------------------------------

Cabinet

Cabinet Material	Baltic birch
Handles	1
Pole Mount	35 mm
Color	"Orange peeled" Matt Black or any RAL

Physical Dimensions

Height	390 mm (15.35")
Width	220 mm (8.66")
Depth	240 mm (9.45")
Weight	9.5 kg (20.9lbs)

ESD 36

FULL RANGE 350 Watts

The Ultimate Passive Compact 3-way

ESD36 - part number KVV 987 224

Application

Specifically designed as a passive loudspeaker for reproduction of recorded music in small areas

- Suitable in Fixed installations as full range stand-alone or with subwoofers
- Multi-purpose fixed installations
- Domestic and Professional studio monitoring



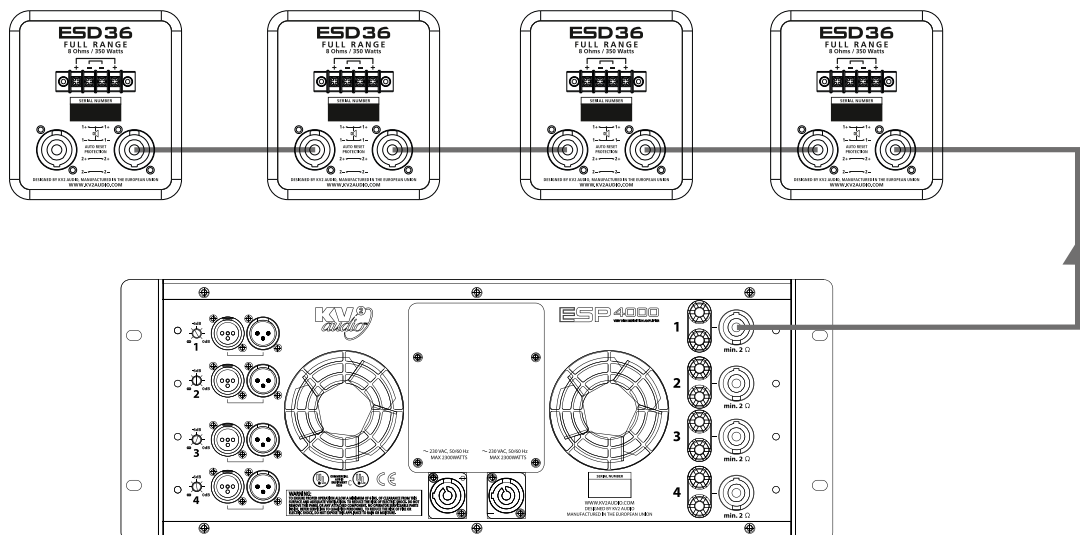
Introduction

One of the more unique loudspeakers offered by KV2 Audio the ESD36 is a passive, full-range 3-way speaker system for speech and music reproduction. The ESD36 features a 6" driver dedicated to high quality mid-range reproduction and a further two low frequency 6" drivers for enhanced bass extension. Alongside the same compression driver as featured in the popular EX6, the ESD36 offers comparable performance to many 12" cabinets with an enhanced vocal performance from this 3-way design.

Connection

The ESD36 features both Speakon (NL4) connectors and a terminal block. The connectors are interconnected in parallel to allow the "daisy chaining" of additional ESD36's.

PARALLEL CONNECTION OF THE ESD36 (8Ω) - TOTAL IMPEDANCE 2Ω



ESD36 · Overview

Installation

Installations should be carried out using KV2 Audio's horizontal or vertical U brackets. They are mounted vertically using M10 points located on the side of the cabinet or in the top handle and bottom M10 plate (supplied with horizontal bracket) for horizontal fixing and to a mounting post with a diameter of 35 mm using a support flange.

The ESD36 also features a 35 mm speaker pole mount adapter housed at the bottom of the cabinet for use with conventional speaker stands and poles.

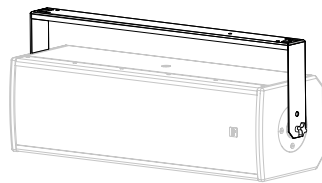
Drawings

part name:

ESD36 "U" HORIZONTAL BRACKET

part number:

KVV 987 244

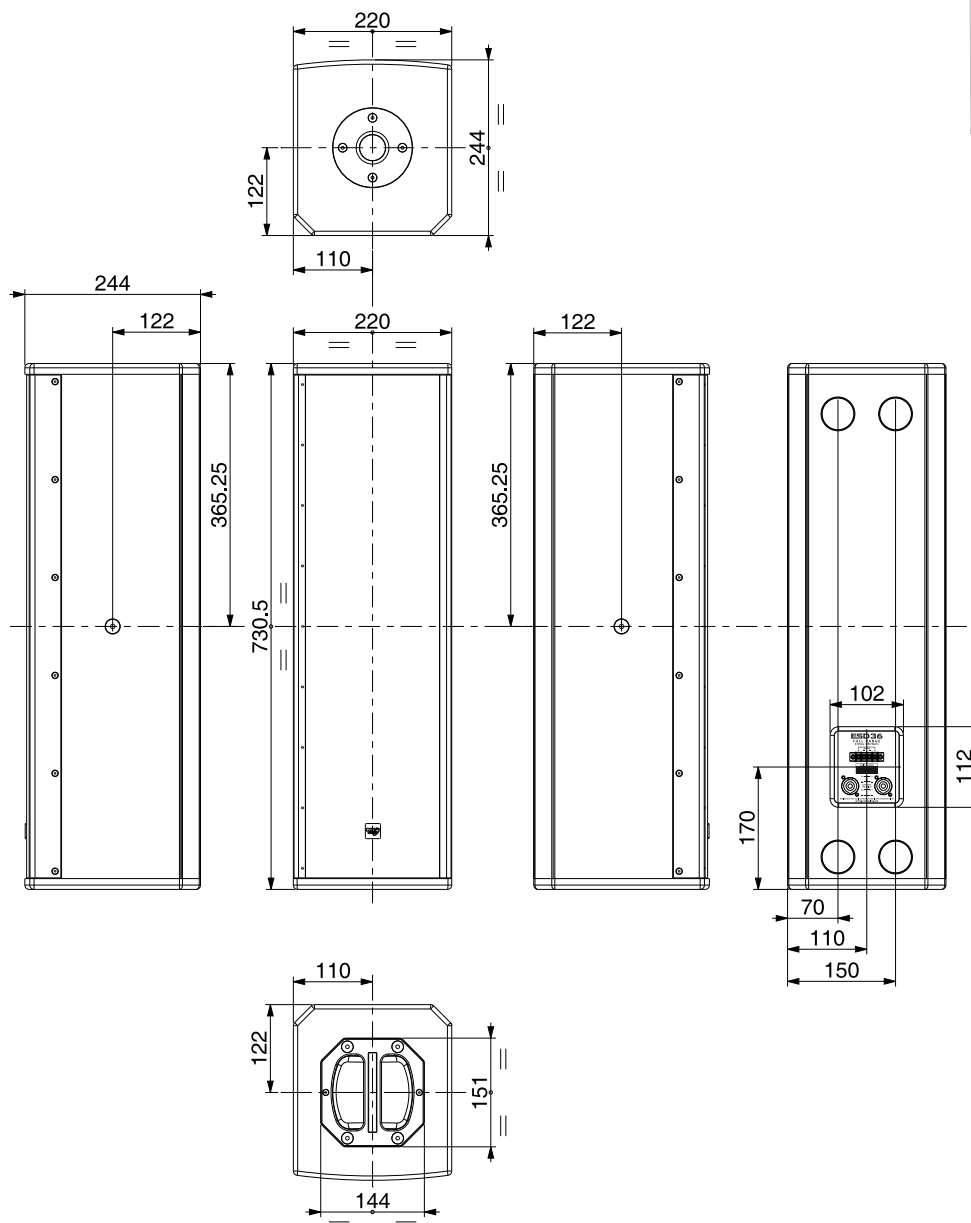
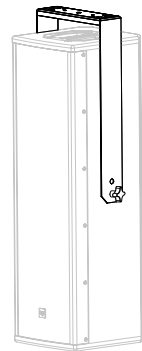


part name:

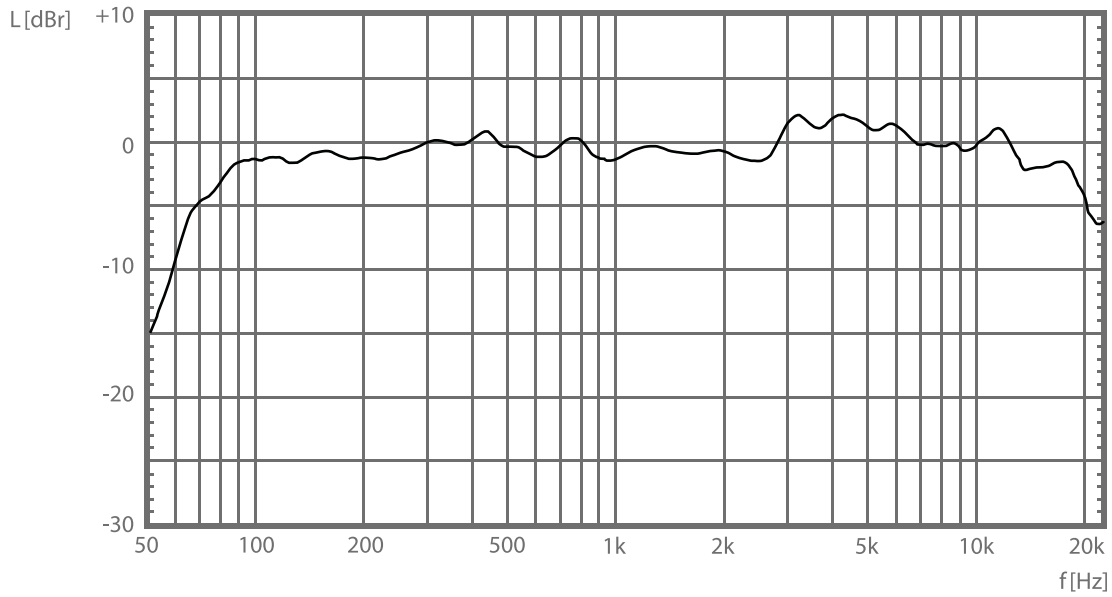
ESD36 "U" VERTICAL BRACKET

part number:

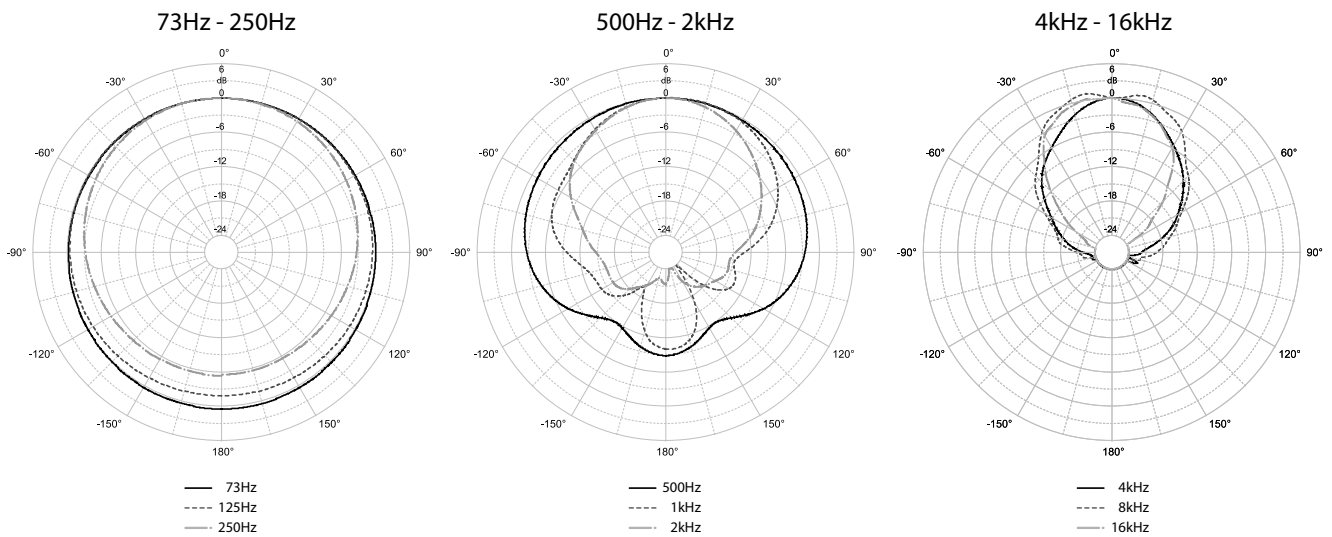
KVV 987 243



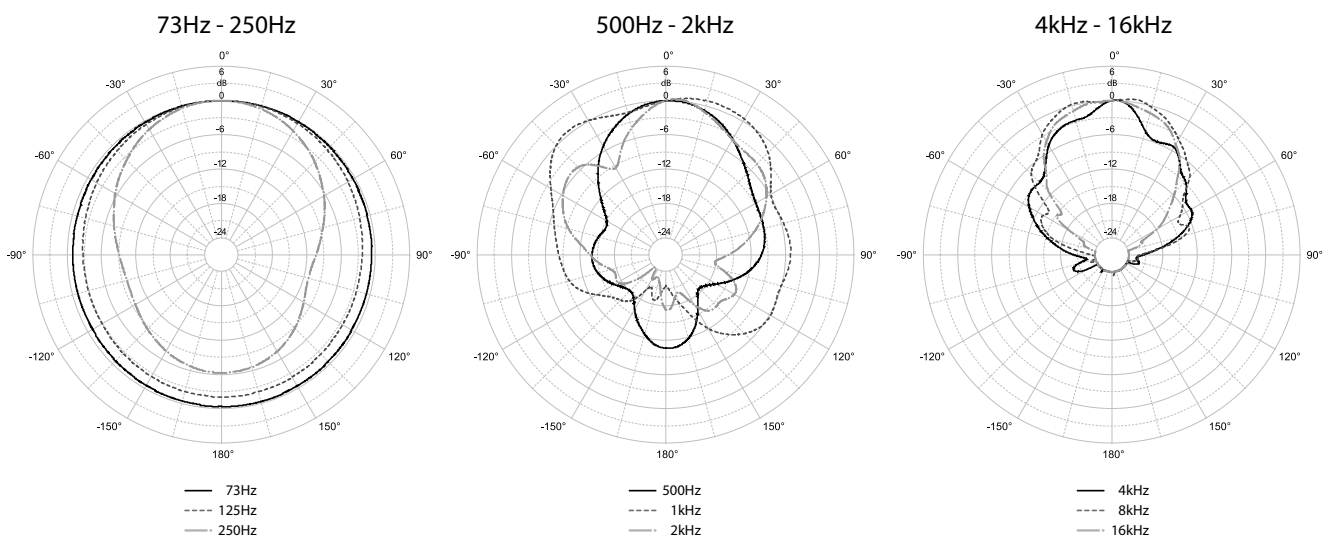
Frequency response



Horizontal Polarplots



Vertical Polarplots



Specifications

System Acoustic Performance

Max SPL Long-term	122dB
Max SPL Peak	125dB
-3dB Response	65Hz to 25kHz
-10dB Response	57Hz to 30kHz
Recommended Power	350W
Sensitivity	94dB
Impedance	8Ω
Crossover Point	600Hz, 2.5kHz

High Frequency Section

Acoustic Design	Horn Loaded
High Horn Coverage Horizontal / Vertical	100° x 100°
Throat Exit Diameter / Diaphragm Size	1" / 1.75"
Diaphragm Material	Nitride Titanium
Magnet Type	Neodymium
Protection	RMS Limiter

Mid Range Section

Acoustic Design	Low Inductance Lightweight
Woofer Size / Voice Coil Diameter	6" / 1.75"
Diaphragm Material	Epoxy Reinforced Cellulose
Magnet Type	Neodymium
Protection	RMS Limiter

Low Frequency Section

Acoustic Design	Front Loaded, Bass Reflex
Woofer Size / Voice Coil Diameter	2 x 6" / 1.75"
Magnet Type	Neodymium
Diaphragm Material	Epoxy Reinforced Cellulose
Protection	RMS Limiter

Speaker Input

Speaker Input	2x Neutrik Speakon®, Terminal Block
---------------	-------------------------------------

Cabinet

Cabinet Material	Baltic birch
Handles	1
Pole Mount	35 mm
Color	"Orange peeled" Matt Black or any RAL

Physical Dimensions

Height	730.5 mm (28.76")
Width	220 mm (8.66")
Depth	244 mm (9.60")
Weight	17.6 kg (38.8lbs)

ESD10

FULL RANGE 500Watts

The Ultimate Compact Passive System

ESD10 - part number KVV 987 207



Application

Specifically designed as a passive loudspeaker for high quality, high output portable music playback and live performance in small areas

- Full range stand-alone solution or scalable to larger systems with subwoofers
- Large conference and small to medium performance venues
- Multi-purpose fixed installations
- Personal monitoring
- In-fill for larger main KV2 Audio systems or third party systems

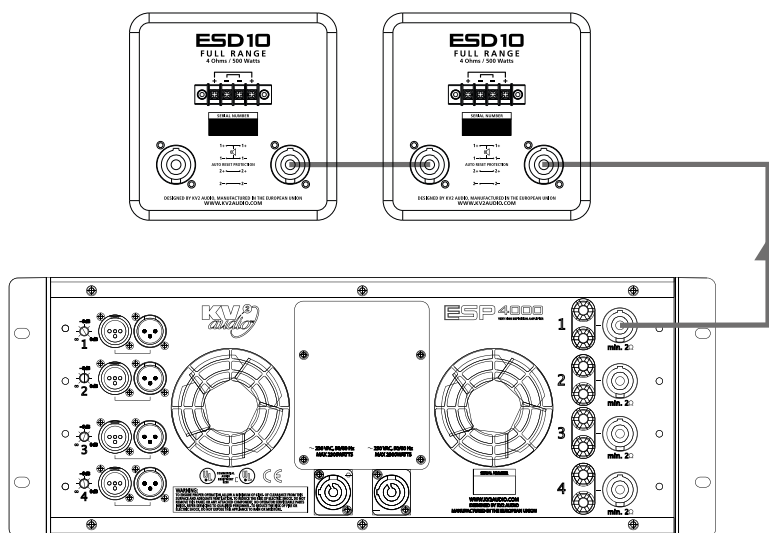
Introduction

The ESD10 is a compact passive 2-way, high output, full-range loudspeaker incorporating a 10" trans-coil woofer and a wide dispersion rotatable horn. The ESD10 provides a smooth hi fidelity response and delivers sound quality and level that is superior to many larger competing products. Ideal as a main system speaker or as an fill-in for larger systems. The ESD10 is an all round affordable passive solution that simply exudes quality.

Connection

The ESD10 features both Speakon (NL4) connectors and a terminal block. The connectors are interconnected in parallel to allow the "daisy chaining" of additional ESD10's.

PARALLEL CONNECTION OF THE ESD10 (4Ω) - TOTAL IMPEDANCE 2Ω



ESD10 · Overview

Installation

Installations should be carried out using KV2 Audio's horizontal or vertical U brackets. They are mounted vertically using M10 points located on the side of the cabinet or in the top handle and bottom M10 plate (supplied with horizontal bracket) for horizontal fixing and to a mounting post with a diameter of 35 mm using a support flange.

The ESD10 also features a 35 mm speaker pole mount adapter housed at the bottom of the cabinet for use with conventional speaker stands and poles.

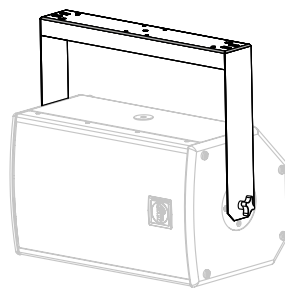
Drawings

part name:

EX10, ESD10 "U" HORIZONTAL BRACKET

part number:

KVV 987 036

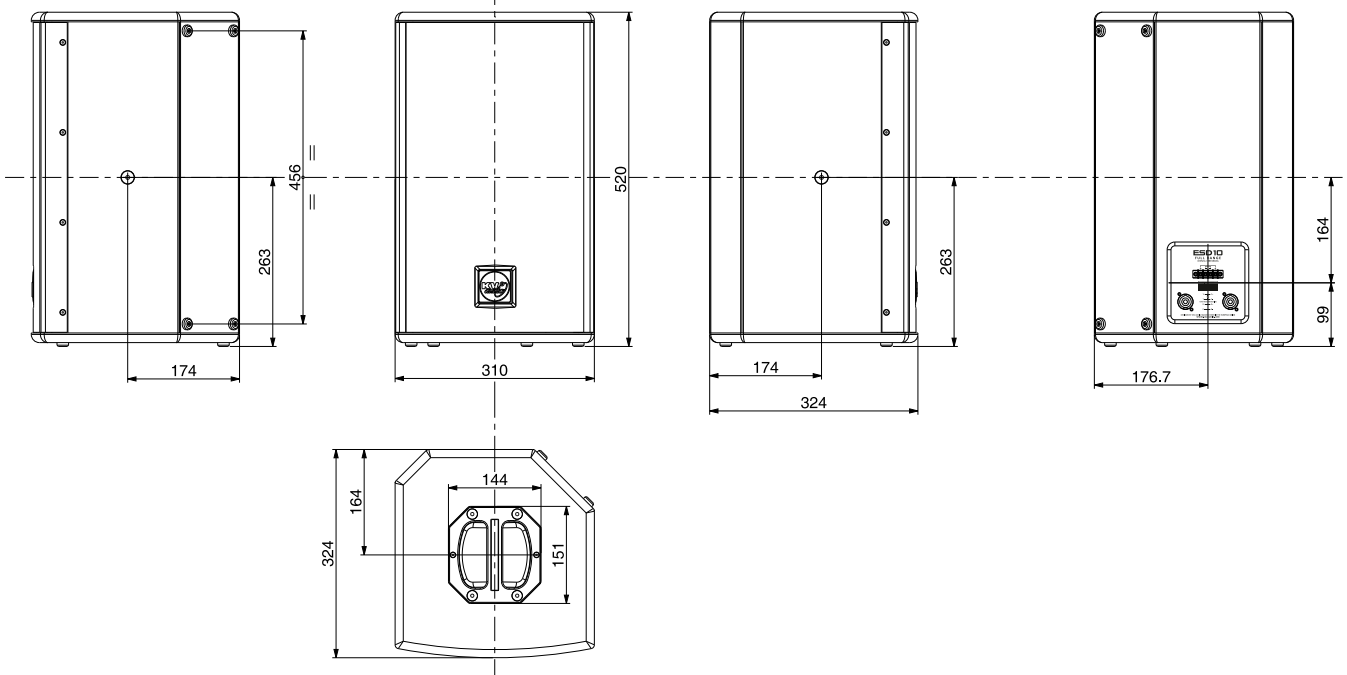
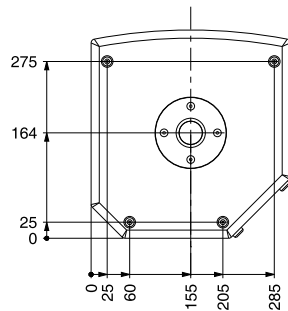
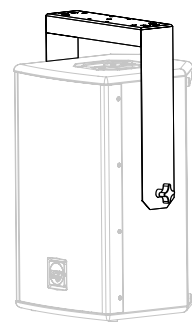


part name:

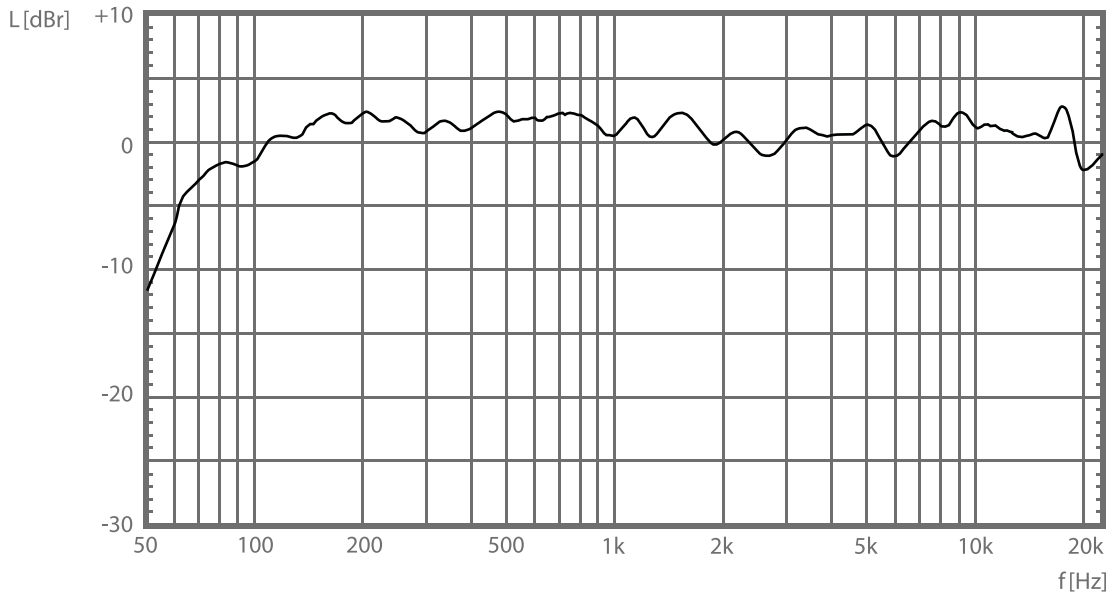
EX10, ESD10 "U" VERTICAL BRACKET

part number:

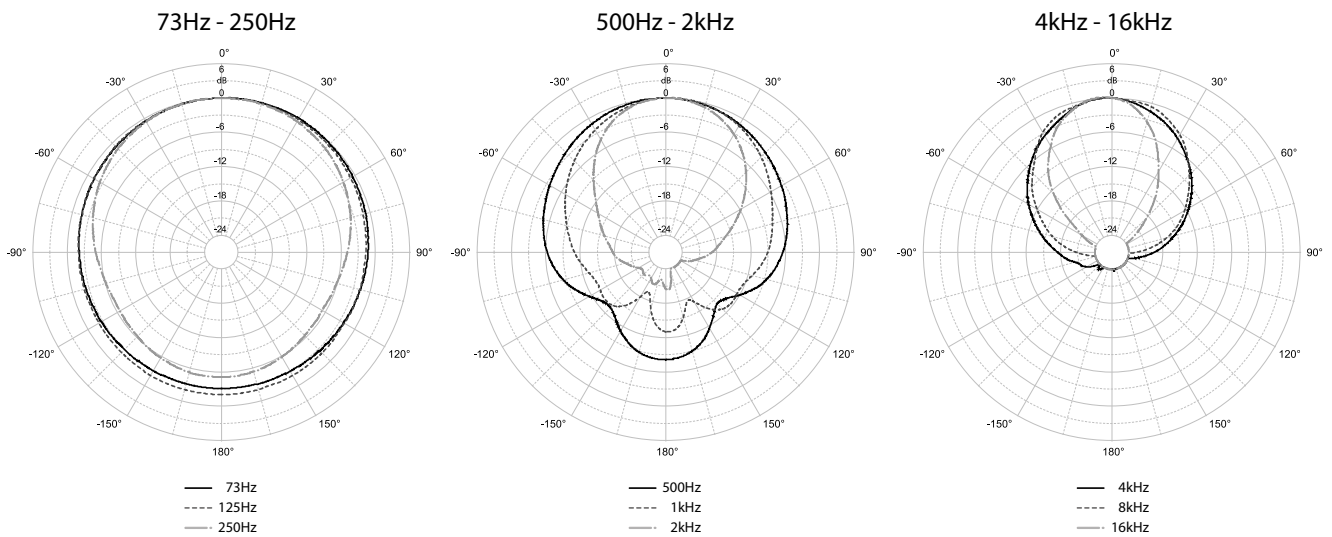
KVV 987 033



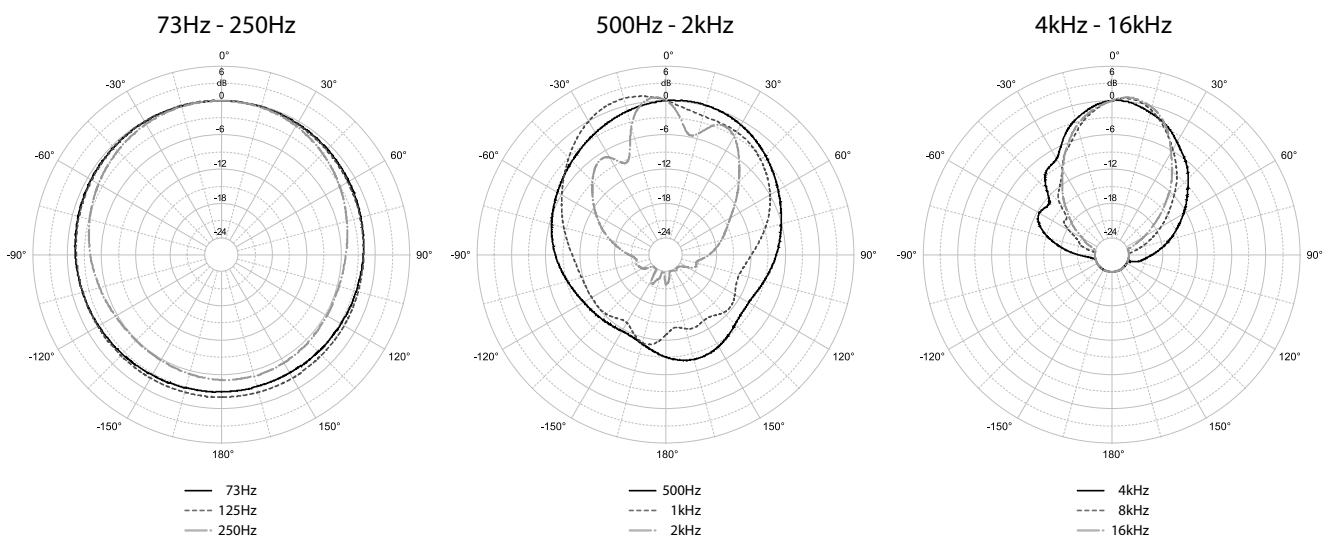
Frequency response



Horizontal Polarplots



Vertical Polarplots



Specifications

System Acoustic Performance

Max SPL Long-term	125dB
Max SPL Peak	128dB
-3dB Response	65Hz to 20kHz
-10dB Response	56Hz to 28kHz
Recommended Power	500W
Sensitivity	96dB
Impedance	4Ω
Crossover Point	1.8kHz

High Frequency Section

Acoustic Design	Horn Loaded
High Horn Coverage Horizontal / Vertical	100° x 90°
Rotatable Horn	YES
Throat Exit Diameter / Diaphragm Size	1" / 1.75"
Diaphragm Material	Nitride Titanium
Magnet Type	Neodymium
Protection	RMS Limiter

Low Frequency Section

Acoustic Design	Front Loaded, Bass Reflex
Woofer Size / Voice Coil Diameter / Design	10" / 2.5" / Trans Coil
Diaphragm Material	Epoxy Reinforced Cellulose
Magnet Type	Neodymium
Protection	RMS Limiter

Speaker Input

Speaker Input	2x Neutrik Speakon®, Terminal Block
---------------	-------------------------------------

Cabinet

Cabinet Material	Baltic birch
Handles	1
Pole Mount	35 mm
Color	"Orange peeled" Matt Black or any RAL

Physical Dimensions

Height	514 mm (20.32")
Width	310 mm (12.20")
Depth	324 mm (12.76")
Weight	16.5 kg (36.38lbs)

ESD12

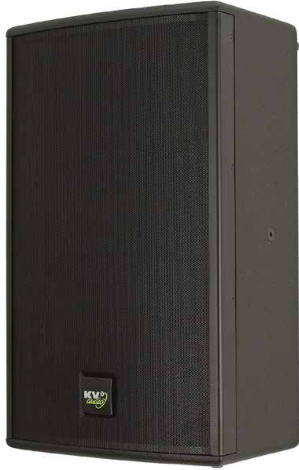
FULL RANGE 500Watts
The Ultimate Passive System

ESD12 - part number KVV 987 199

Application

Designed as a passive loudspeaker for the highest quality vocal and full range live performance in medium areas

- Suitable for medium to large conference, Theatre and small to medium scale concerts
- Scalable from stand alone to full range large systems by adding subwoofers
- Fixed installations
- Houses of worship
- Stage monitoring



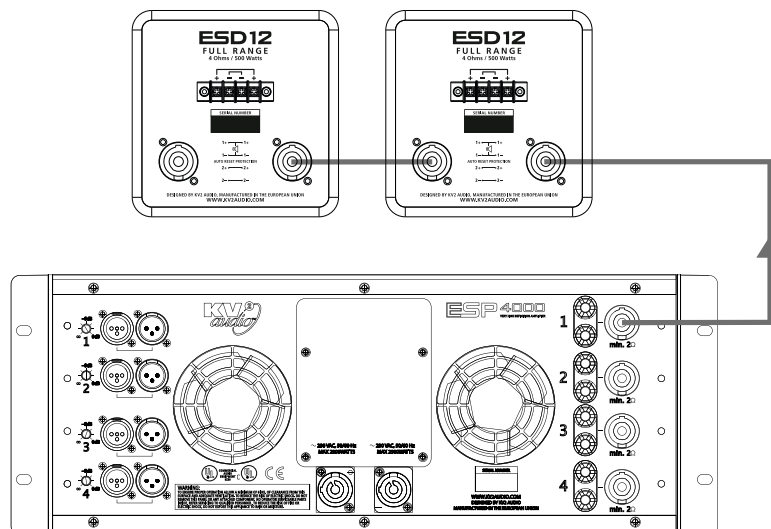
Introduction

The ESD12 is a high quality 2-way, passive full range loudspeaker that provides unmatched clarity and definition in a simple elegant package. The ESD12 utilizes a 12" Trans Coil woofer and the same 3" NVPD large format compression driver found in our flagship VHD products, which has one of the lowest distortion ratings on the planet. Combined with our unique delay line technology the ESD12 delivers a beautifully balanced, phase coherent and accurate compact, 2-way passive solution that is adaptable to a wide range of applications.

Connection

The ESD12 features both Speakon (NL4) connectors and a terminal block. The connectors are interconnected in parallel to allow the "daisy chaining" of additional ESD12's.

PARALLEL CONNECTION OF THE ESD12 (4Ω) - TOTAL IMPEDANCE 2Ω



ESD12 · Overview

ESD12 · Installation · Drawings

Installation

Installations should be carried out using KV2 Audio's horizontal or vertical U brackets. They are mounted vertically using M10 points located on the side of the cabinet or in the top handle and bottom M10 plate (supplied with horizontal bracket) for horizontal fixing and to a mounting post with a diameter of 35 mm using a support flange.

The ESD12 also features a 35 mm speaker pole mount adapter housed at the bottom of the cabinet for use with conventional speaker stands and poles.

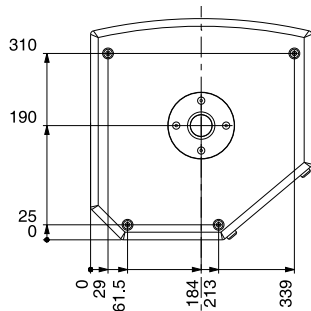
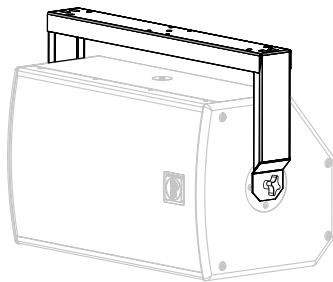
Drawings

part name:

ESD12 "U" HORIZONTAL BRACKET

part number:

KVV 987 213

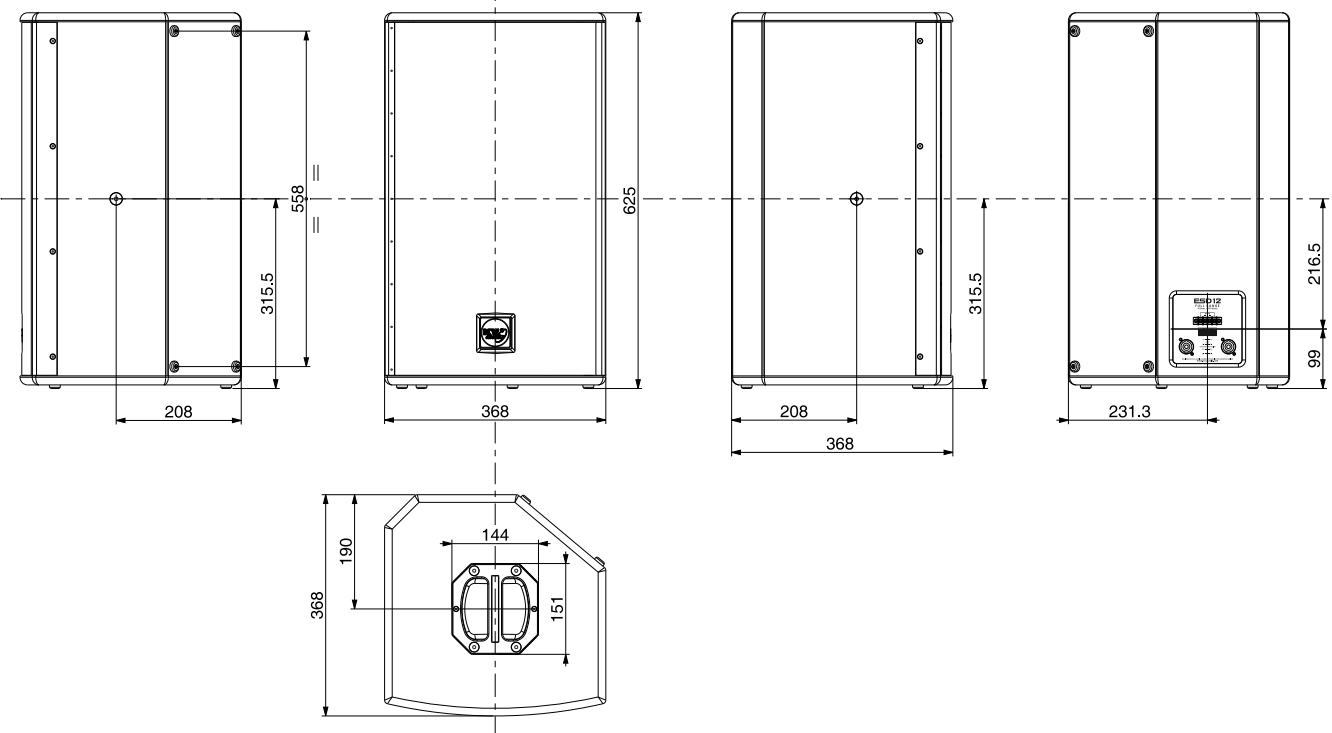
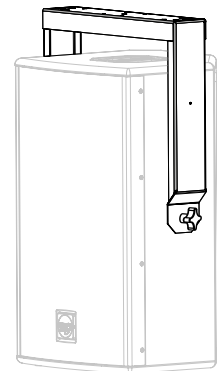


part name:

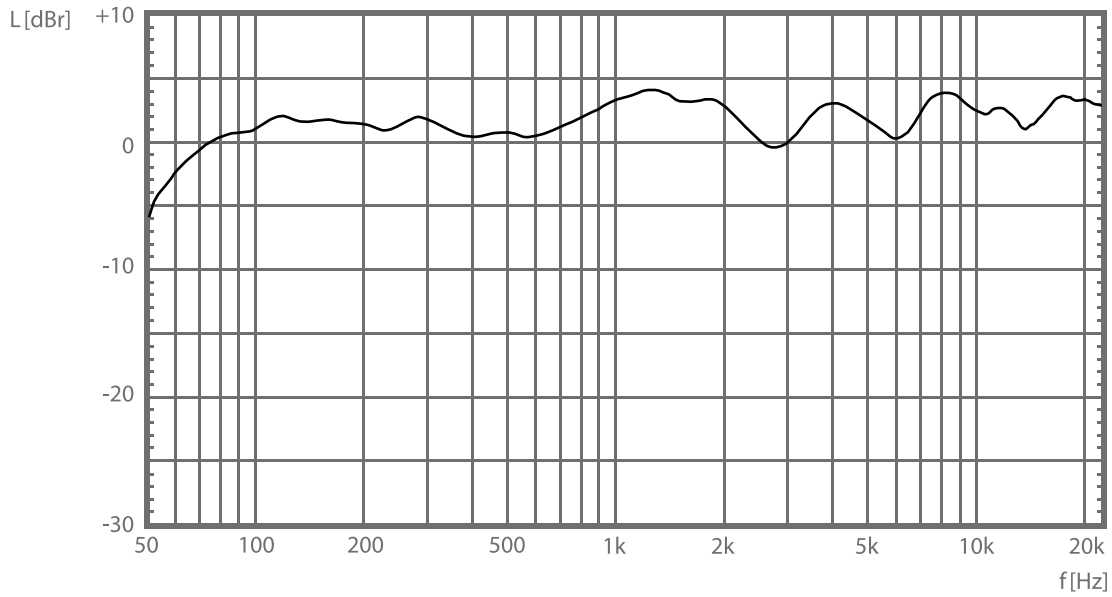
EX12, ESD12 "U" VERTICAL BRACKET

part number:

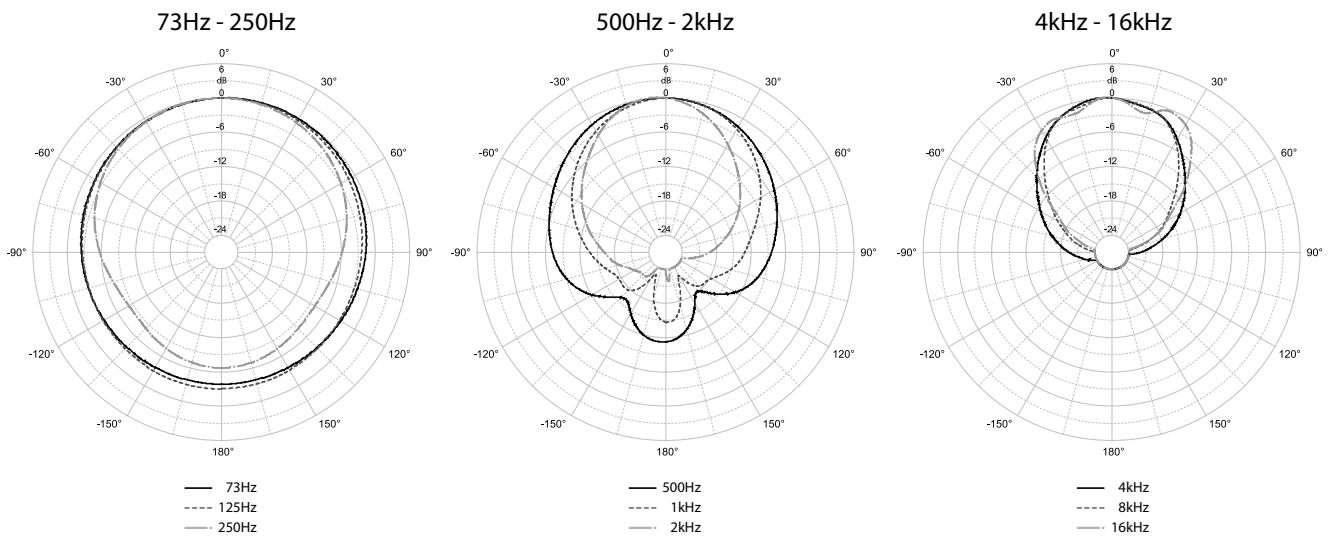
KVV 987 057



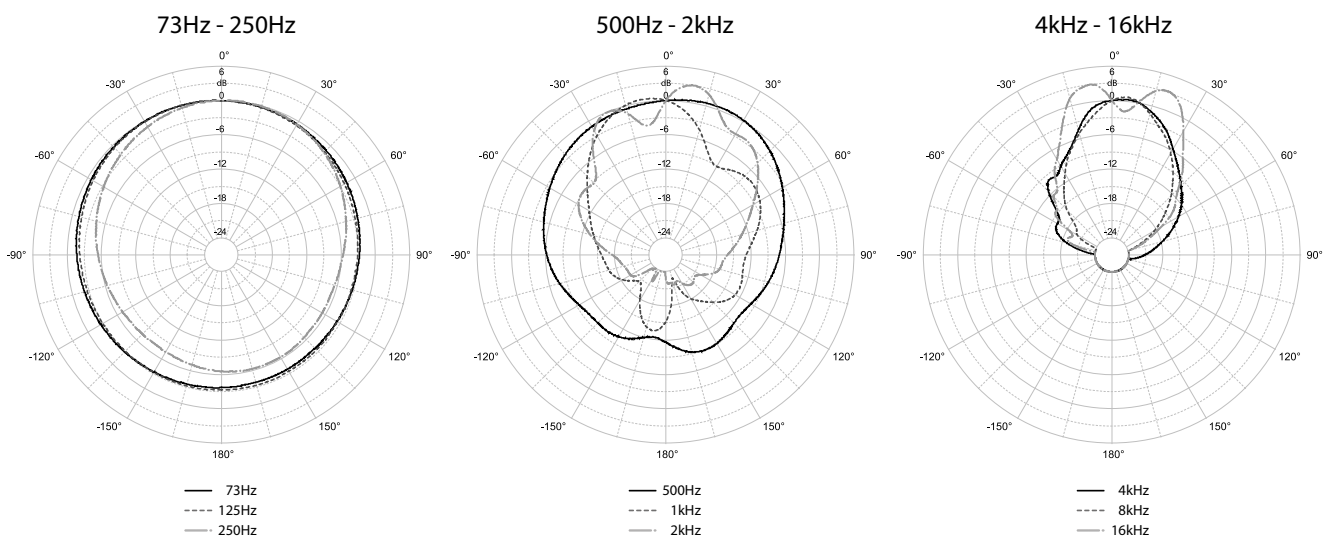
Frequency response



Horizontal Polarplots



Vertical Polarplots



Specifications

System Acoustic Performance

Max SPL Long-term	127dB
Max SPL Peak	130dB
-3dB Response	55Hz to 22kHz
-10dB Response	50Hz to 30kHz
Recommended Power	500W
Sensitivity	98dB
Impedance	4Ω
Crossover Point	1.2kHz

High Frequency Section

Acoustic Design	Horn Loaded
High Horn Coverage Horizontal / Vertical	80° x 40°
Rotatable Horn	YES
Throat Exit Diameter / Diaphragm Size	1.4" / 3"
Diaphragm Material	Nitride Titanium
Magnet Type	Neodymium
Protection	RMS Limiter

Low Frequency Section

Acoustic Design	Front Loaded, Bass Reflex
Woofer Size / Voice Coil Diameter / Design	12" / 2.5" / Trans Coil
Diaphragm Material	Epoxy Reinforced Cellulose
Magnet Type	Neodymium
Protection	Thermal breaker - autoreset

Speaker Input

Speaker Input	2x Neutrik Speakon®, Terminal Block
---------------	-------------------------------------

Cabinet

Cabinet Material	Baltic birch
Handles	1
Pole Mount	35 mm
Color	"Orange peeled" Matt Black or any RAL

Physical Dimensions

Height	619 mm (44.37")
Width	368 mm (14.48")
Depth	368 mm (14.48")
Weight	23 kg (50.7lbs)

ESD15

The Full Range Passive System

ESD15 - part number KVV 987 313



Application

Specifically designed as a true full-range, passive loudspeaker for high quality, high output portable music playback and live performance in small areas

- High quality fixed installations without subwoofer
- Small live performances
- Church installations
- Conferences
- Video/film presentation

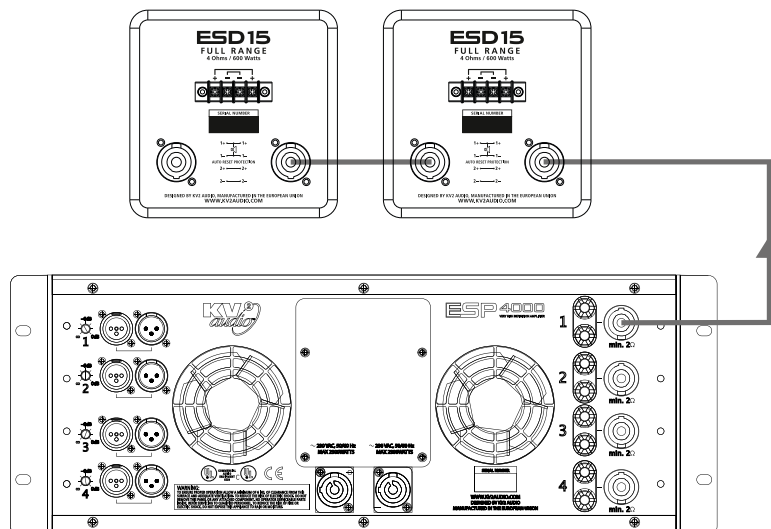
Introduction

The new ESD15 incorporates a unique coaxial 15" transducer with a 1.75" Nitride Titanium Neodymium Compression Driver on a wide dispersion 80 x 60 degree horn. Whilst most coaxial speakers will try to cover the full frequency response, the ESD15's coaxial driver only covers bass and highs leaving the all important mid-range to a 6" neodymium speaker mounted on a large 80 x 60 degree horn. This resolves the issue of the 15" driver trying and failing to reproduce mid-range, a common problem with conventional coaxial designs. The ESD15's unique design provides extremely flat, full range reproduction from a compact yet powerful package that out performs speakers twice its size, weight and price.

Connection

The ESD15 features both Speakon (NL4) connectors and a terminal block. The connectors are interconnected in parallel to allow the "daisy chaining" of additional ESD15's.

PARALLEL CONNECTION OF THE ESD15 (4Ω) - TOTAL IMPEDANCE 2Ω



ESD15 · Overview

Installation

Installations should be carried out using KV2 Audio's horizontal or vertical U brackets. They are mounted vertically using M10 points located on the side of the cabinet or in the top handle and bottom M10 plate (supplied with horizontal bracket) for horizontal fixing and to a mounting post with a diameter of 35 mm using a support flange.

The ESD15 also features a 35 mm speaker pole mount adapter housed at the bottom of the cabinet for use with conventional speaker stands and poles.

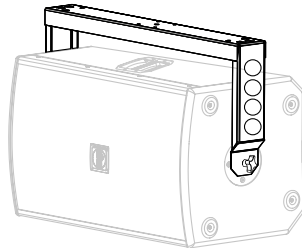
Drawings

part name:

ESD15, ES1.0 HORIZONTAL BRACKET

part number:

KVV 987 035

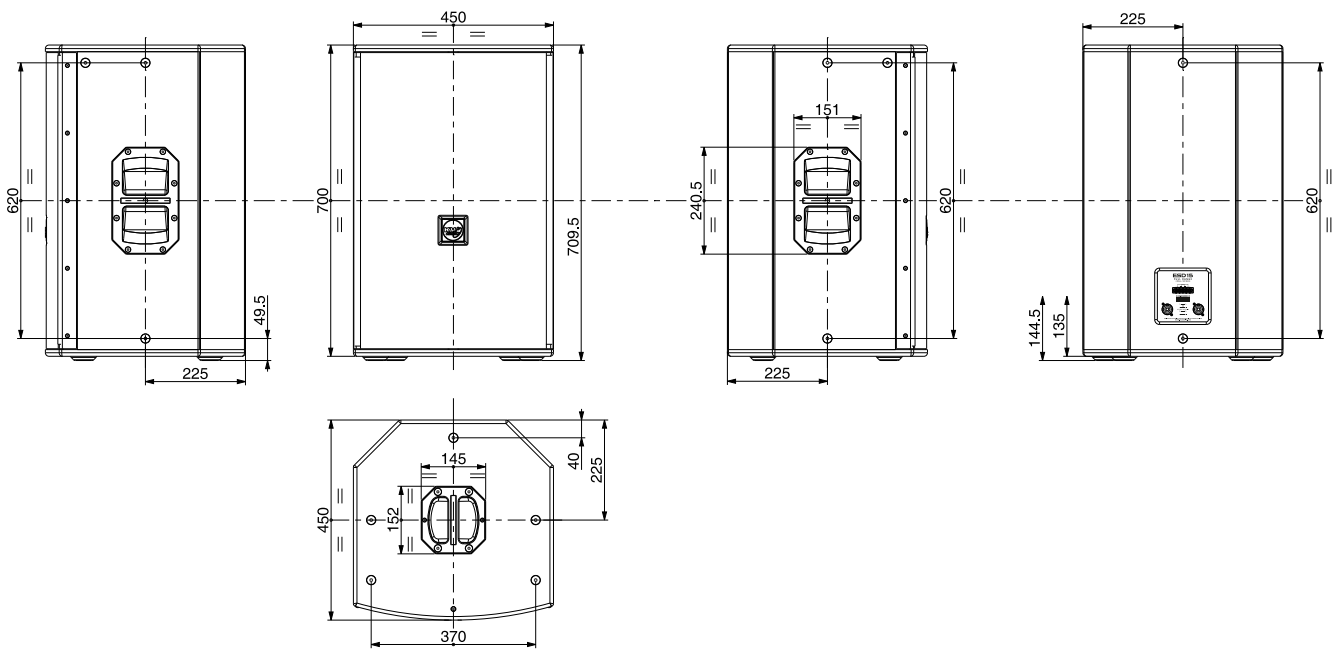
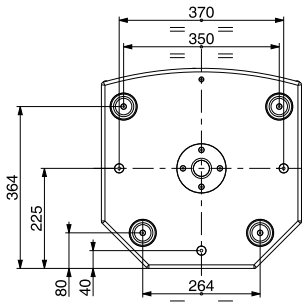
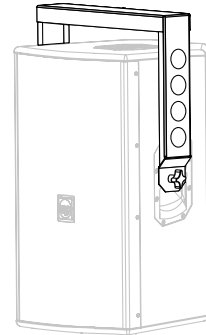


part name:

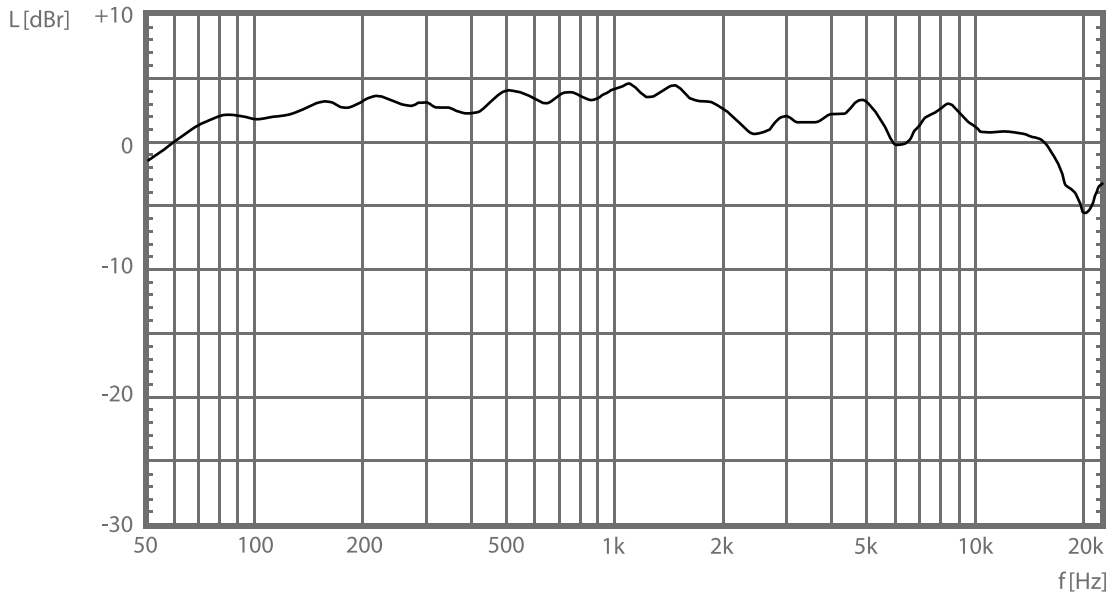
ESD15, ES1.0 VERTICAL BRACKET

part number:

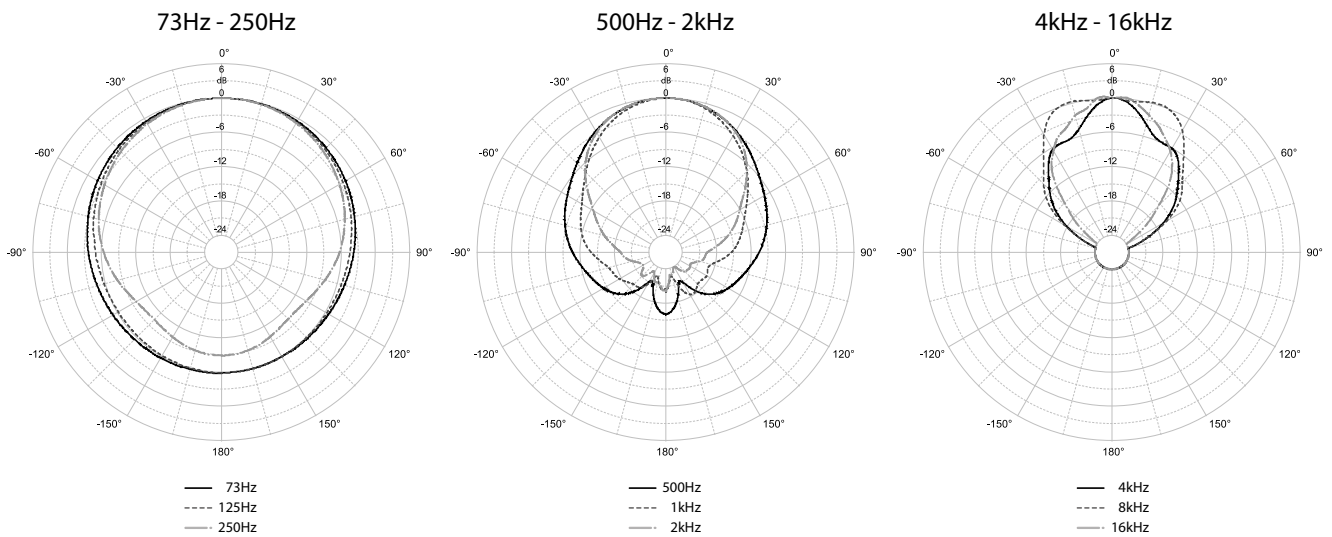
KVV 987 032



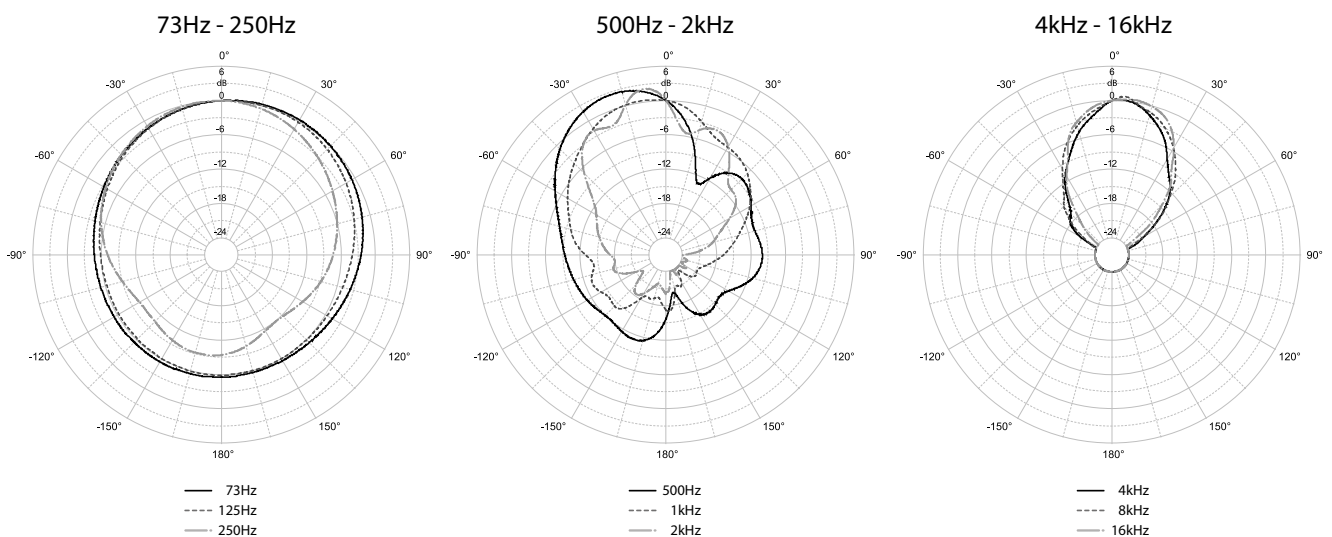
Frequency response



Horizontal Polarplots



Vertical Polarplots



Specifications

System Acoustic Performance

Max SPL Long-term	126dB
Max SPL Peak	129dB
-3dB Response	48Hz to 18kHz
-10dB Response	45Hz to 28kHz
Recommended Power	500W
Sensitivity	97dB
Impedance	4Ω
Crossover Point	500Hz, 2.5kHz

High Frequency Section

Acoustic Design	Horn Loaded
High Horn Coverage Horizontal / Vertical	80° x 60°
Throat Exit Diameter / Diaphragm Size	1" / 1.75"
Diaphragm Material	Nitride Titanium
Magnet Type	Neodymium
Protection	Electronic RMS and Peak Limiter

Mid Range Section

Acoustic Design	Horn Loaded
Mid Horn Coverage Horizontal / Vertical	80° x 60°
Woofer Size / Voice Coil Diameter	6" / 1.5"
Diaphragm Material	Epoxy Reinforced Cellulose
Magnet Type	Neodymium
Protection	RMS Limiter

Low Frequency Section

Acoustic Design	Front Loaded, Bass Reflex
Woofer Size / Voice Coil Diameter	15" / 4"
Diaphragm Material	Epoxy Reinforced Cellulose
Magnet Type	Neodymium
Protection	RMS Limiter

Speaker Input

Speaker Input	2x Neutrik Speakon®, Terminal Block
---------------	-------------------------------------

Cabinet

Handles	3
Pole Mount	35 mm

Physical Dimensions

Height	700 mm (27.55")
Width	450 mm (17.71")
Depth	450 mm (17.71")
Weight	35 kg (77.2lbs)

PADDED HEAVY DUTY COVERS

Cover for ESD6

part name:
Cover ESD6
part number:
KVV 987 210
description:
- heavy duty
- padded



Cover for ESD36

part name:
Cover ESD36
part number:
KVV 987 260
description:
- heavy duty
- padded



Cover for ESD10

part name:
Cover ESD10
part number:
KVV 987 211
description:
- heavy duty
- padded



Cover for ESD12

part name:
Cover ESD12
part number:
KVV 987 212
description:
- heavy duty
- padded



Bracket for ESD Cube

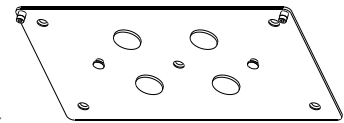
part name:
ESD Cube Bracket
part number:
KVV 987 408
description:
- 2 Male Thumb
Wing Knob M5
- 1 Allen key



(included with the product)

Wall Mount Bracket ESD5

part name:
WALL MOUNT BRACKET ESD5
part number:
KVV 987 344
description:
- 2 locking screws
M4x10mm with spacers
- 1 Allen key

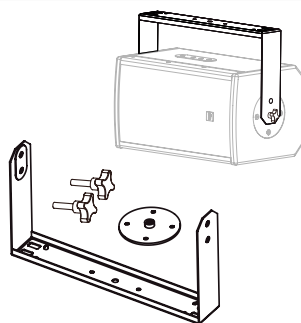


(included with the product)

HORIZONTAL BRACKET

Horizontal Bracket for ESD6

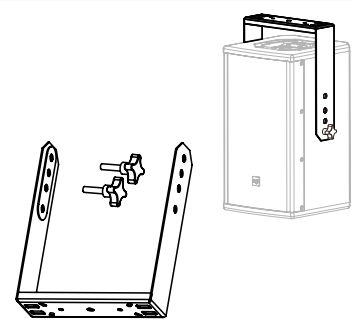
part name:
ESD6 Horizontal Bracket
part number:
KVV 987 222
description:
- black
- including two connection
bolts and bracket



VERTICAL BRACKET

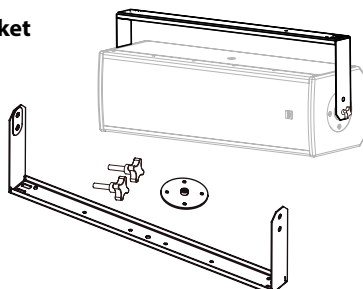
Vertical Bracket for ESD6

part name:
EX6 Vertical Bracket
part number:
KVV 987 148
description:
- for EX6, ESD6
- black
- including two
connection bolts



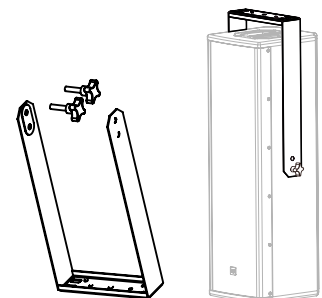
Horizontal Bracket for ESD36

part name:
ESD36 Horizontal Bracket
part number:
KVV 987 244
description:
- black
- including two
connection
bolts and bracket



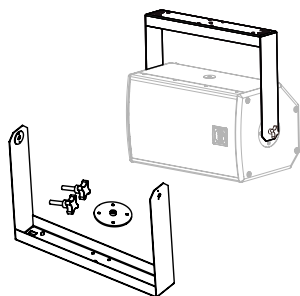
Vertical Bracket for ESD36

part name:
EX6 Vertical Bracket
part number:
KVV 987 243
description:
- black
- including two
connection bolts



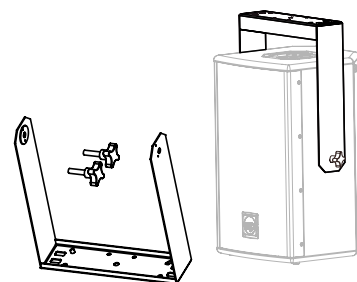
Horizontal Bracket for ESD10

part name:
EX10 Horizontal Bracket
 part number:
KVV 987 036
 description:
 - for EX10, ESD10
 - black
 - including two connection bolts and bracket



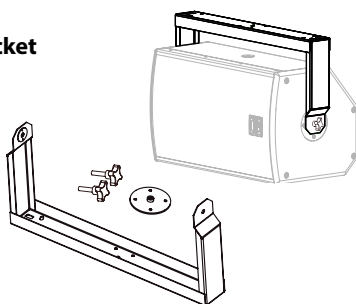
Vertical Bracket for ESD10

part name:
EX10 Vertical Bracket
 part number:
KVV 987 033
 description:
 - for EX10, ESD10
 - black
 - including two connection bolts



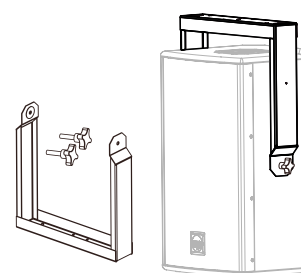
Horizontal bracket for ESD12

part name:
ESD12 Horizontal Bracket
 part number:
KVV 987 213
 description:
 - for EX12, ESD12
 - black
 - including two connection bolts and bracket



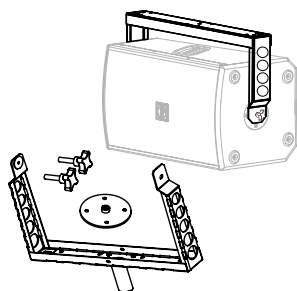
Vertical bracket for ESD12

part name:
EX12 Vertical Bracket
 part number:
KVV 987 057
 description:
 - for EX12, ESD12
 - black
 - including two connection bolts



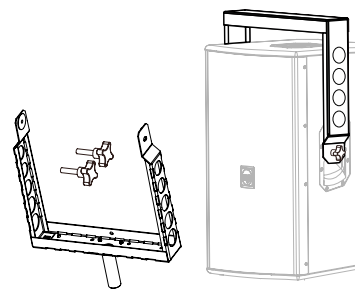
Horizontal bracket for ESD15

part name:
ES1.0 Horizontal Bracket
 part number:
KVV 987 035
 description:
 - black
 - for ES1.0, ES1.5 or ESD15
 - including top hat cover adaptor plate and two connection bolts and bracket



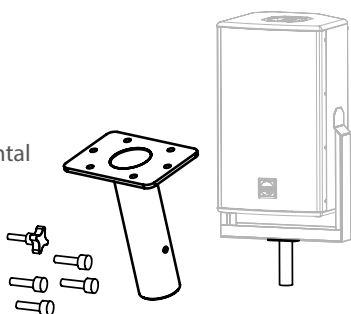
Vertical bracket for ESD15

part name:
ES1.0 Vertical Bracket
 part number:
KVV 987 032
 description:
 - for ES1.0 or ESD15
 - black
 - including two connection bolts



Bracket Top Hat Adapter

part name:
Top Hat Adapter
 part number:
KVV 987 090
 description:
 - for vertical and horizontal brackets
 - including bolts
 - black



Speaker pole - universal

part name:
KV2-H
 part number:
KVV 987 292
 description:
 - Heavy duty telescopic speakerpole
 - 0,735 to 1,23 m
 - diameter 35 mm
 - weight 2,2 kg
 - max. load 50 kg
 - bottom terminal M20
 - matte black



Speakon speaker cable 4.15

part name:
CABLE SPEAKON 4.15
 part number:
KVV 987 326
 description:
 - 4 wire speaker cable
 - Speakon NL4 connectors
 - 1,5m (5ft)



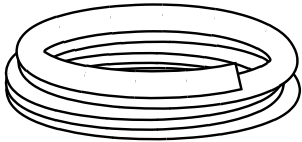
Speakon speaker cable 4.40

part name:
CABLE SPEAKON 4.40
 part number:
KVV 987 327
 description:
 - 4 wire speaker cable
 - Speakon NL4 connectors
 - 4m (13ft)

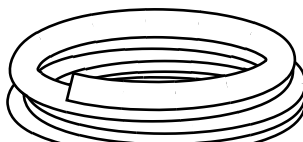


Speaker cables

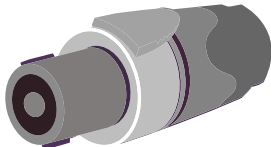
part name:
1m - round flexible speaker cable,
cross section 2 x 1.5mm
 part number:
WX 002



part name:
1m - round flexible speaker cable,
cross section 4 x 2.5mm
 part number:
WX 003



part name:
SPEAKON NL4
 part number:
KA 027

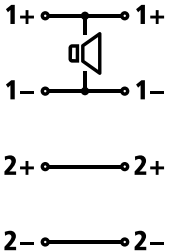


part name:
ESD, Speakon NL4 wiring

positive pin
 (1 +, 2 + parallel)

negative pin
 (1 -, 2 - parallel)

Speakon NL4 wiring



Recommended maximum speaker cable length

MINIMUM CROSS SECTION [mm ²]	LENGTH [m], impedance 4Ω	LENGTH [m], impedance 8Ω	LENGTH [m], impedance 16Ω
1.5	8	15	30
2.5	15	30	60
2 x 2.5	20	40	90
4	25	50	100

Warranty

Your ESD is covered against defects in material and workmanship.

Refer to your supplier for more details.

Service

In the unlikely event that your ESD develops a problem, it must be returned to an authorised distributor, service centre or shipped directly to our factory. Because of the complexity of the design and the risk of electrical shock, all repairs must be attempted only by qualified technical personnel.

If the unit needs to be shipped back to the factory, it must be sent in its original carton. If improperly packed, the unit may be damaged.

To obtain service, contact your nearest KV2 Audio Service Centre, Distributor or Dealer.



The Future of Sound.
Made Perfectly Clear.

KV2 Audio International

Nádražní 936, 399 01 Milevsko
Czech Republic

Tel.: +420 383 809 320

Email: info@kv2audio.com

www.kv2audio.com

KVV120050-00-17-0